

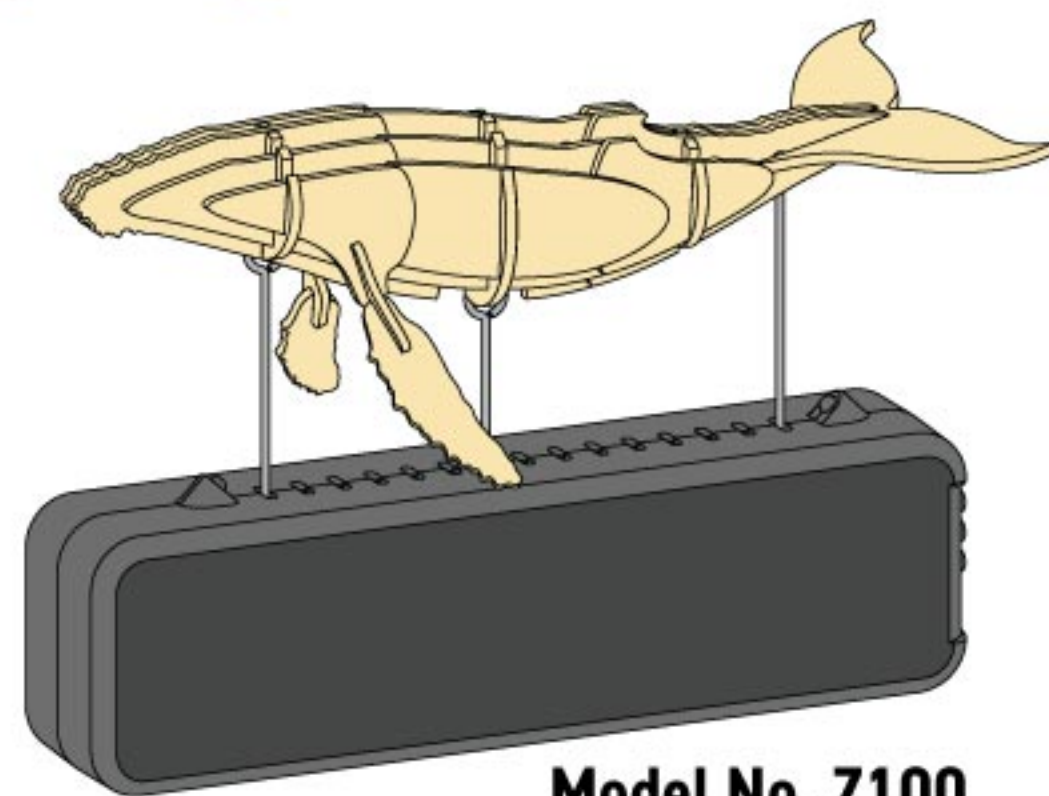
INSTRUCTIONS

STOP!

Scan the QR code and watch this short video to get started faster!



thinkbluemarble.com/motorized-models

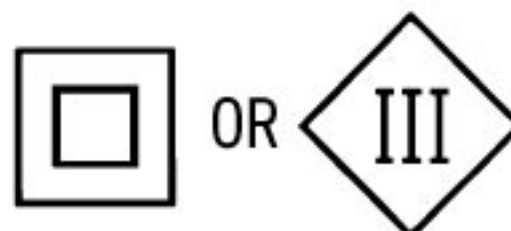


Model No. Z100

SAFETY INFORMATION

- PLEASE READ ALL INSTRUCTIONS before use of this product. Retain this instruction manual since it contains important information, addresses and phone number for future reference.
- This toy shall only be used with a transformer (OUTPUT: DC 5V/ 0.5-1.0A) for toys or a power supply for toys.
- Please disconnect from the transformer or power supply before cleaning.
- The transformer or power supply is not a toy.
- The transformer used with the electric toy shall be regularly examined for damage to the supply cord, plug, enclosure or other parts, and in the event of damage, it shall not be used until the damage has been repaired.
- Misuse of transformer can cause electrical shock.
- The toy shall only be used with a transformer for toys or a power supply for toys.
- Warning: Not suitable for children under 36 months.


THIS TOY IS ONLY TO BE CONNECTED TO EQUIPMENT BEARING EITHER OF THE FOLLOWING SYMBOLS:



This device complies with Part 15 of the FCC rules. Operation is subject to the following two conditions: (1) This device may not cause harmful interference, and (2) This device must accept any interference received, including interference that may cause undesired operation. This equipment has been tested and found to comply with the limits for Class B digital devices pursuant to Part 15 of the FCC rules. These limits are designed to provide reasonable protection against harmful interference to radio communications. This equipment generates, uses and can radiate radio frequency energy and, if not installed and used in accordance with the instruction, may cause harmful interference to radio communication. However, there is no guarantee that interference will not occur in a particular installation. If this toy does cause interference to radio or television reception (you can check this by turning the toy off and on while listening for the interference), one or more of the following measures may be useful:

- Reorient or relocate the receiving antenna.
- Increase the separation between the toy and the radio or the TV.
- Connect the equipment into an outlet on a circuit different from that to which the receiver is connected.
- Consult the dealer or an experienced TV-radio technician for help.

CAN ICES-003(B)/NMB-003(B)

 When this product has reached the end of its useful life, it should not be disposed of with other household waste. The Waste Electrical and Electronic Equipment Regulations require it to be separately collected so that it can be treated using the best available recovery and recycling techniques. This will minimize the impact on the environment and human health from soil and water contamination by any hazardous substances, decrease the resources required to make new products and avoid using up landfill space. Please do your part by keeping this product out of the municipal waste stream! The "wheeler bin" symbol means that it should be collected as "waste electrical and electronic equipment". You can return an old product to your retailer when you buy a similar new one. For other options, please contact your local council.

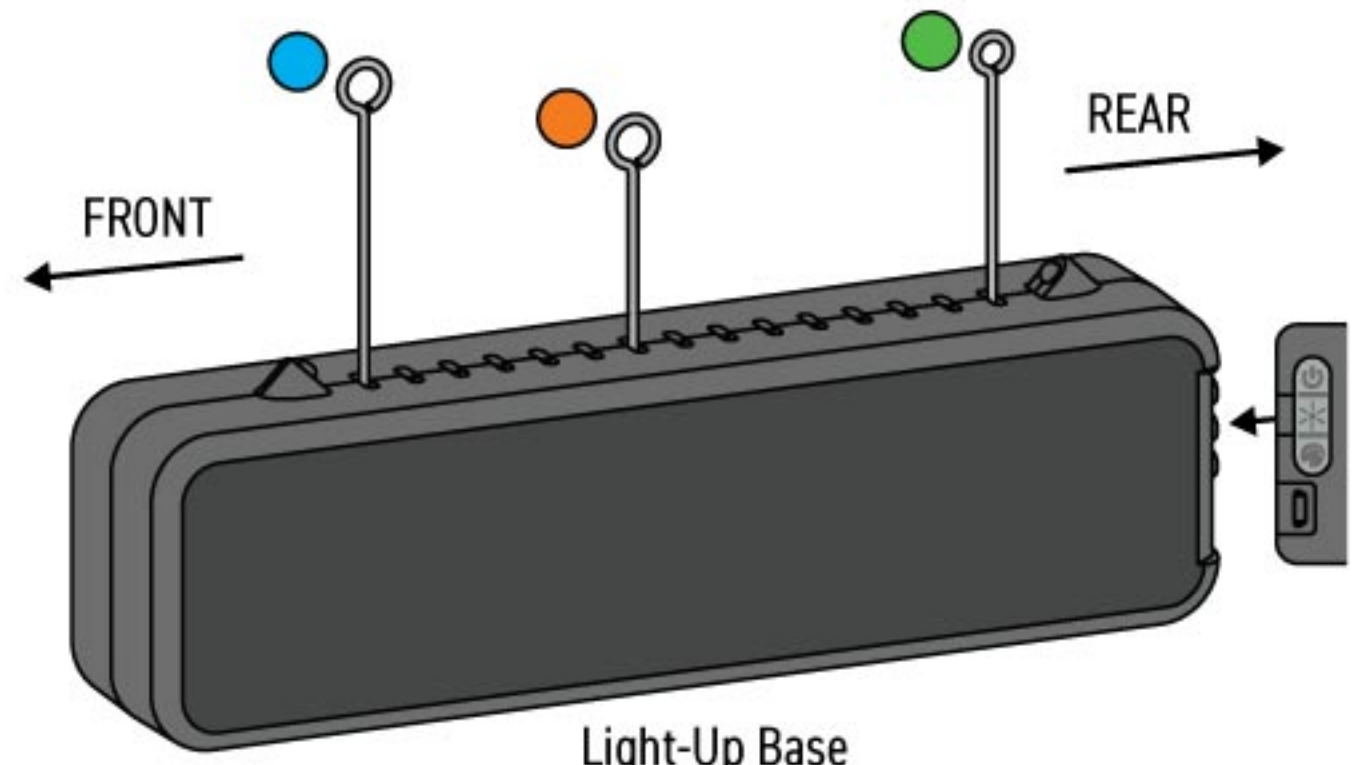
CAUTION: Changes or modifications to this unit not expressly approved by the party responsible for compliance could void the user's authority to operate the equipment.

IMPORTANT BUILDING TIPS

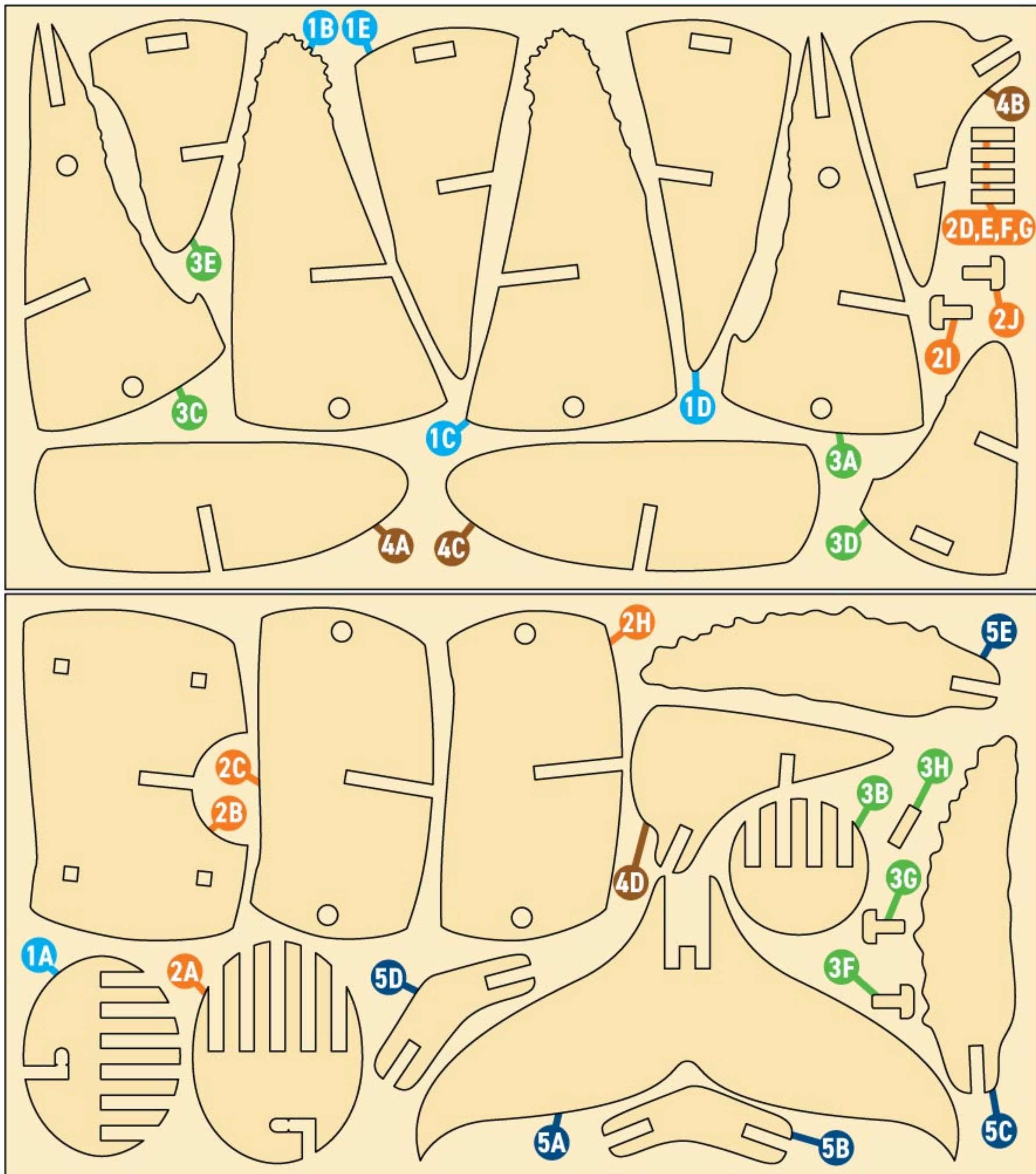
- Punch out pieces one section at a time and arrange them in order on your workspace.
- Make sure pieces are fully inserted into one another. You may need to apply a bit of pressure to ensure a secure fit.
- When you see one of the hook icons shown below, it means you will be building directly onto the identified base support rod.



Hook Icons



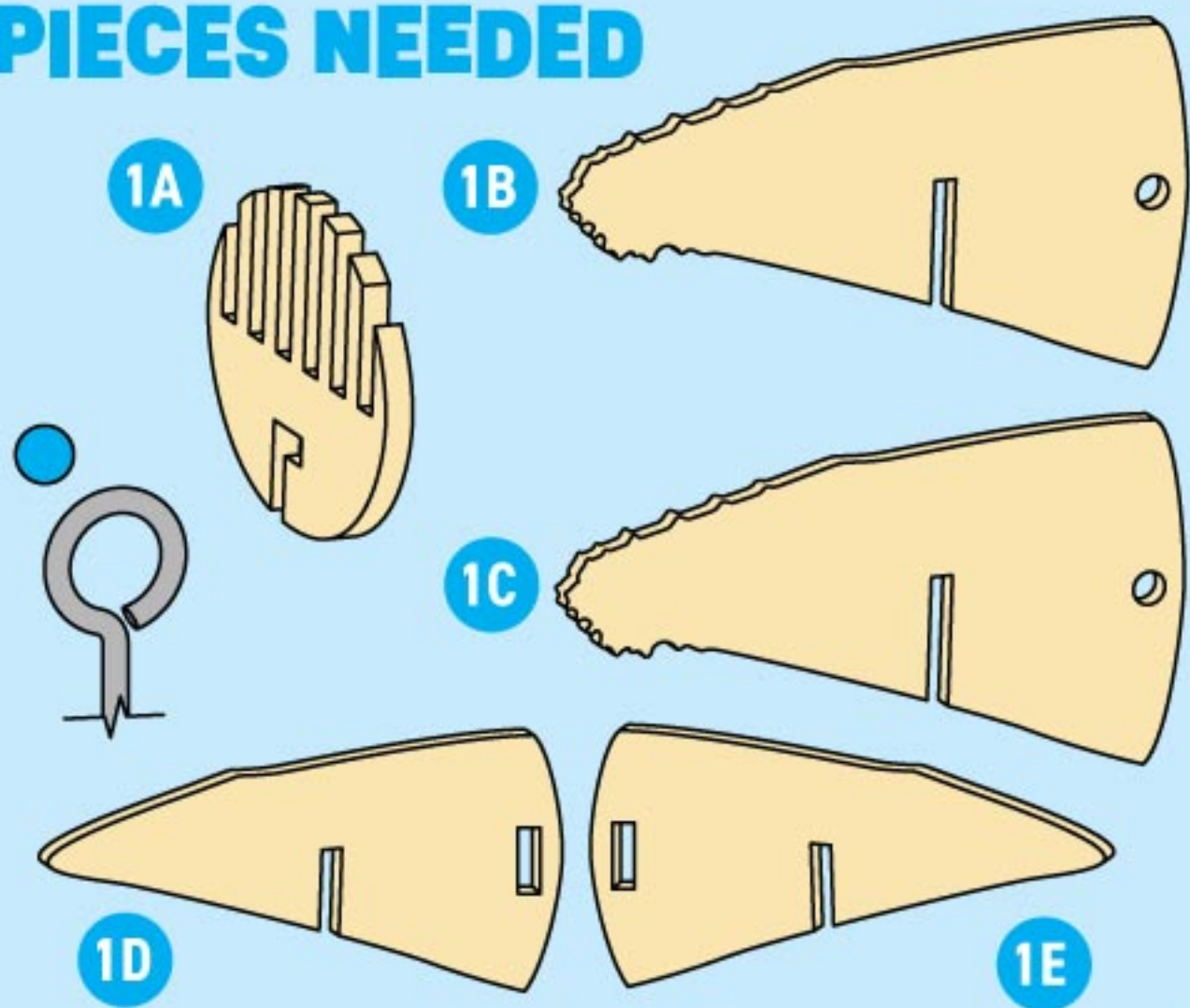
Light-Up Base



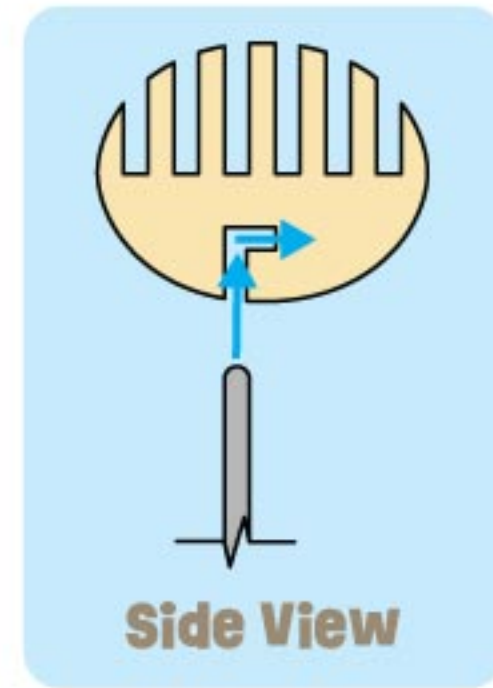
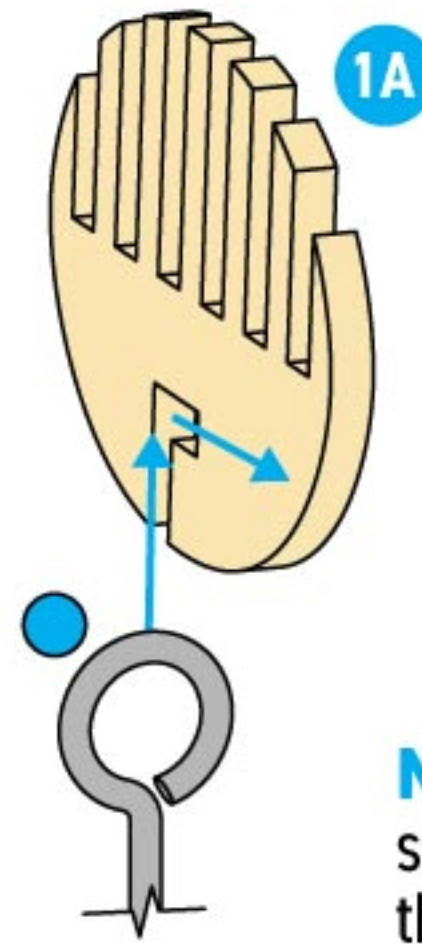
Wooden Model Piece Sheets

1 HEAD

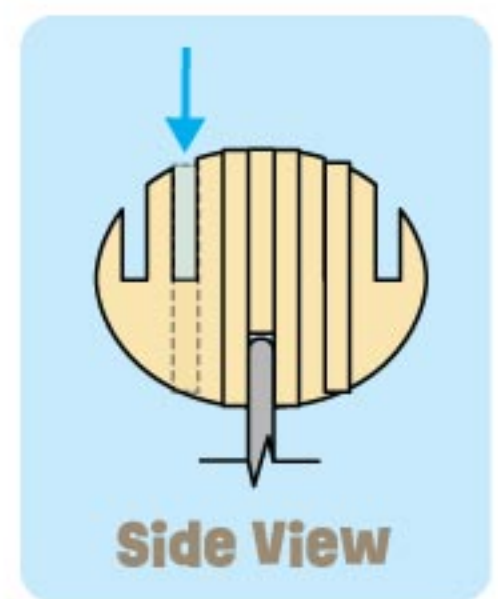
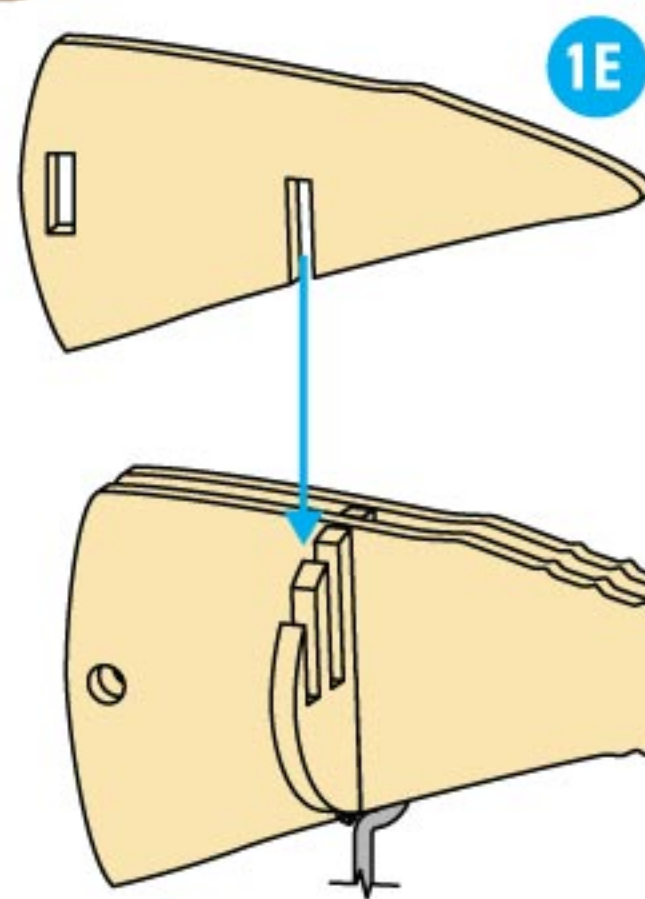
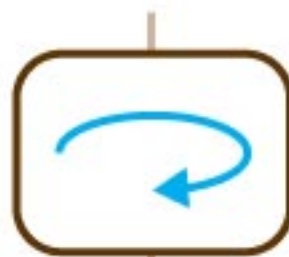
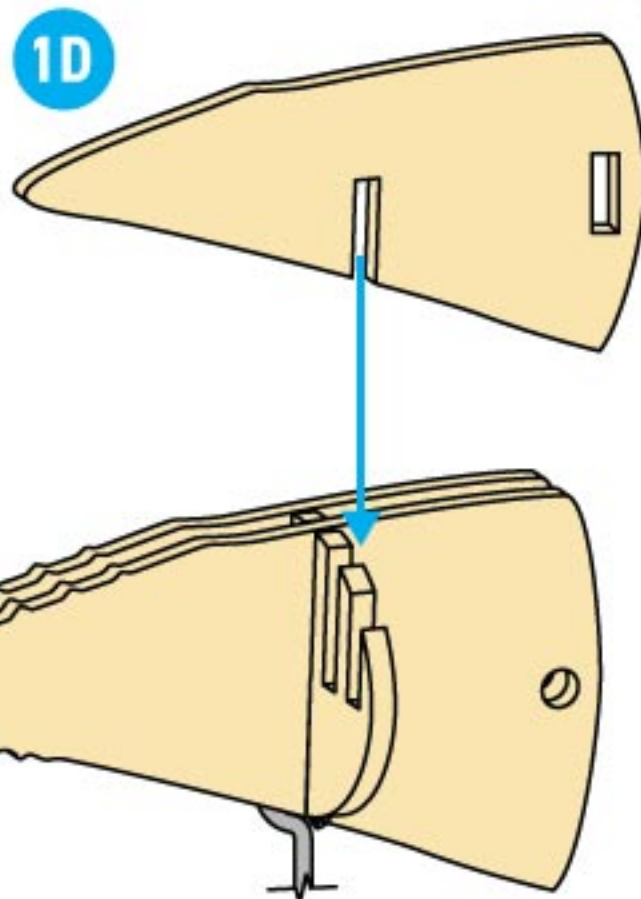
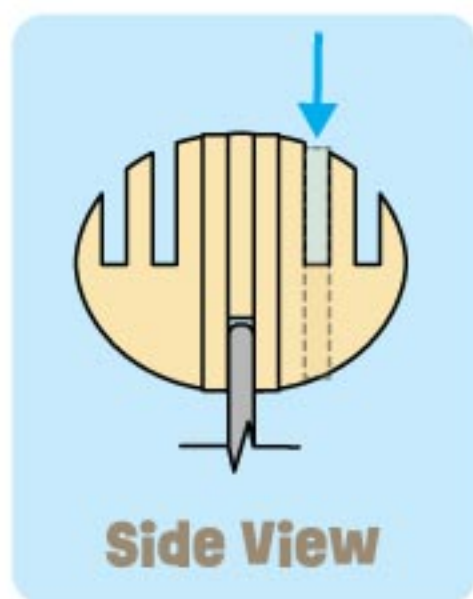
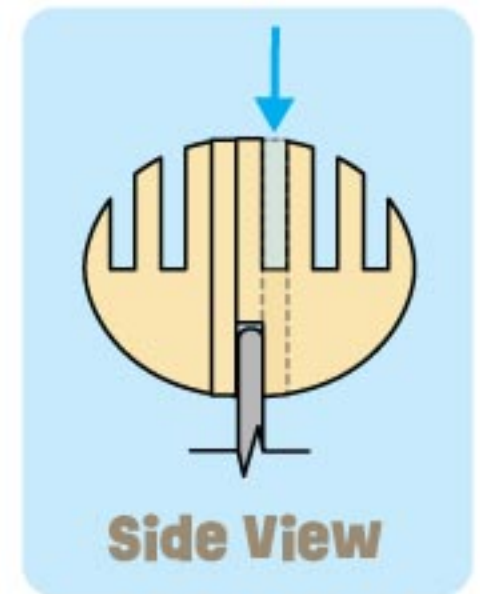
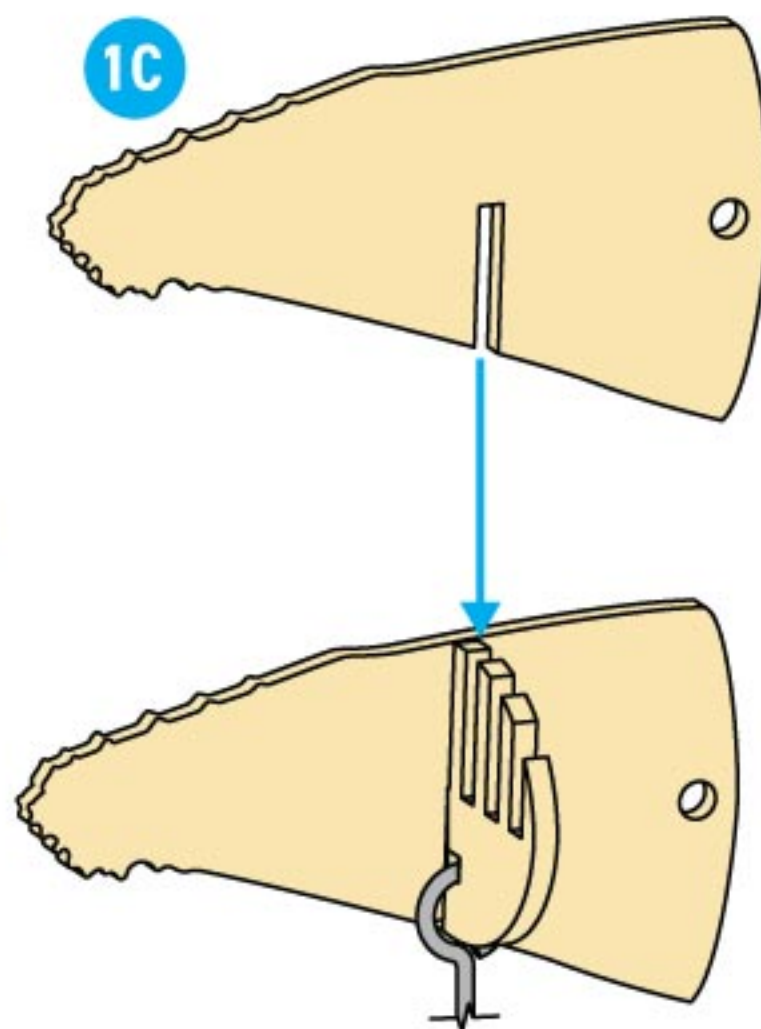
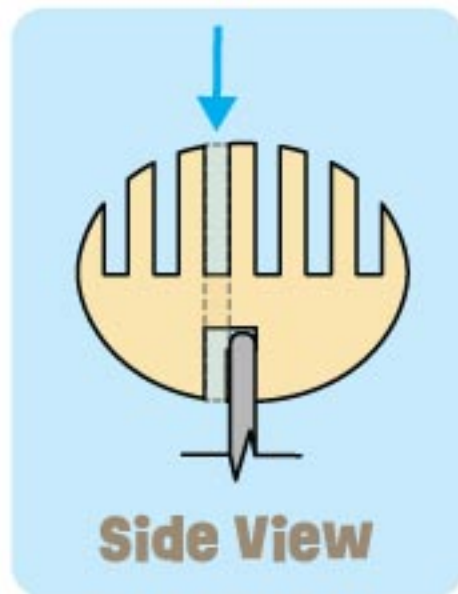
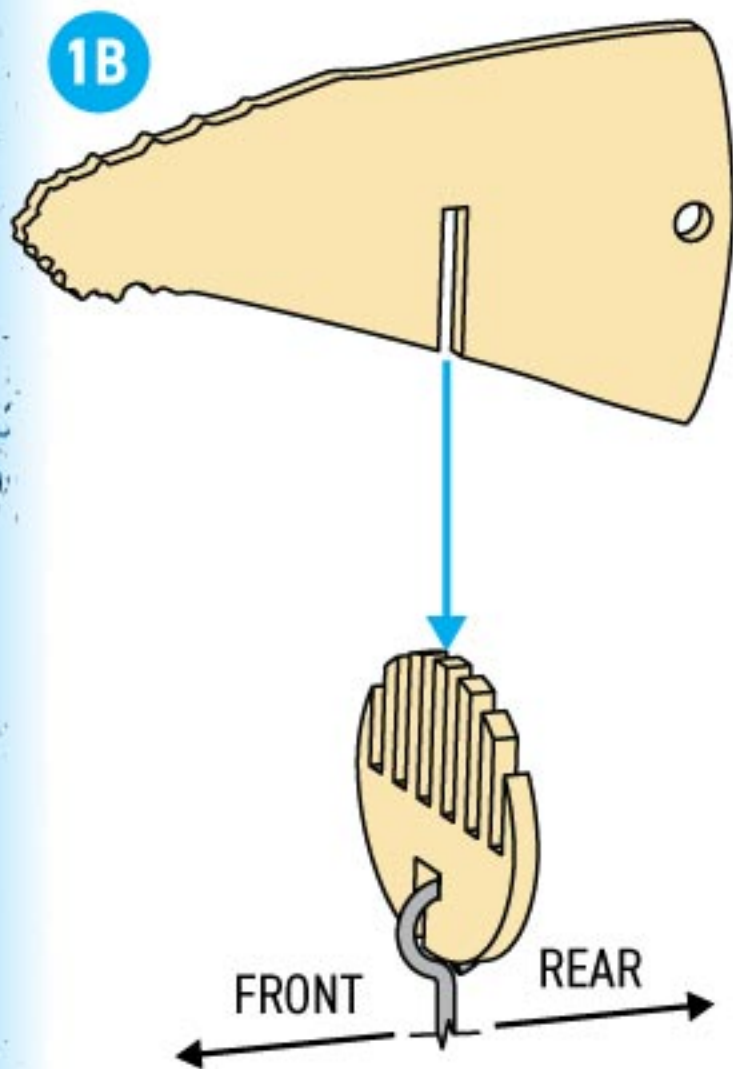
PIECES NEEDED



STEP BY STEP

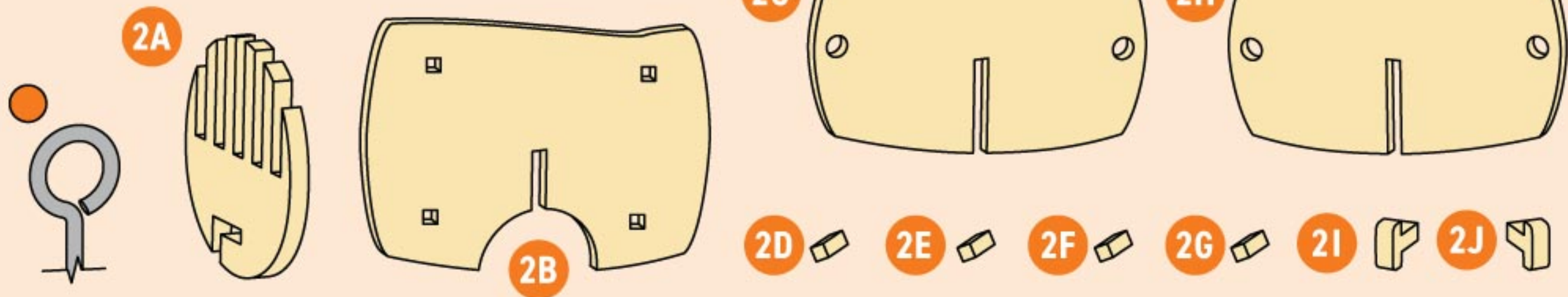


Note: Hold 1A in place on the support rod while completing the next steps.

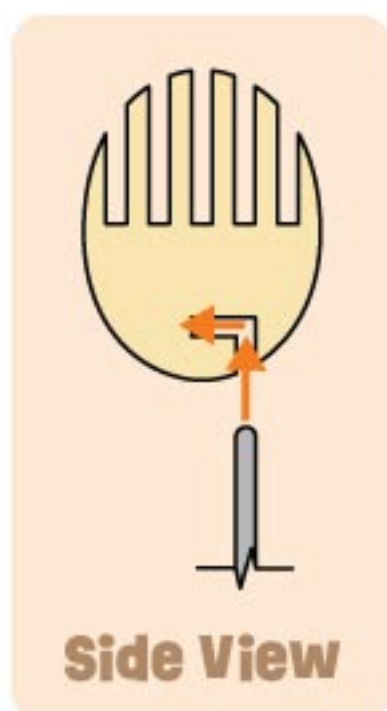
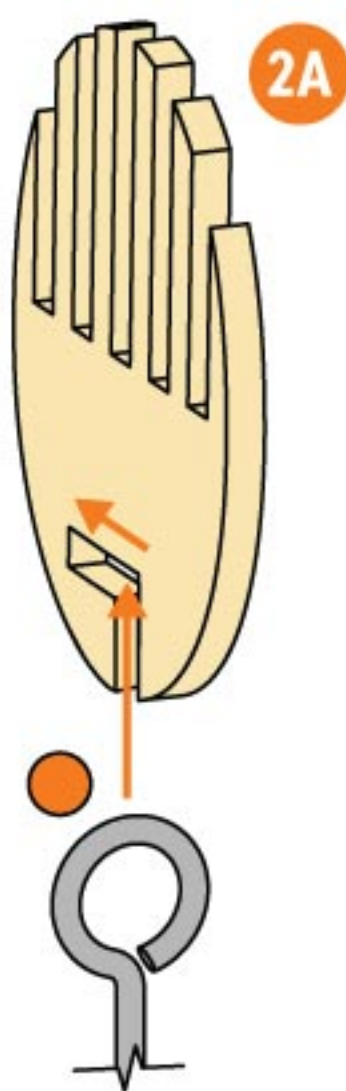


2 TORSO

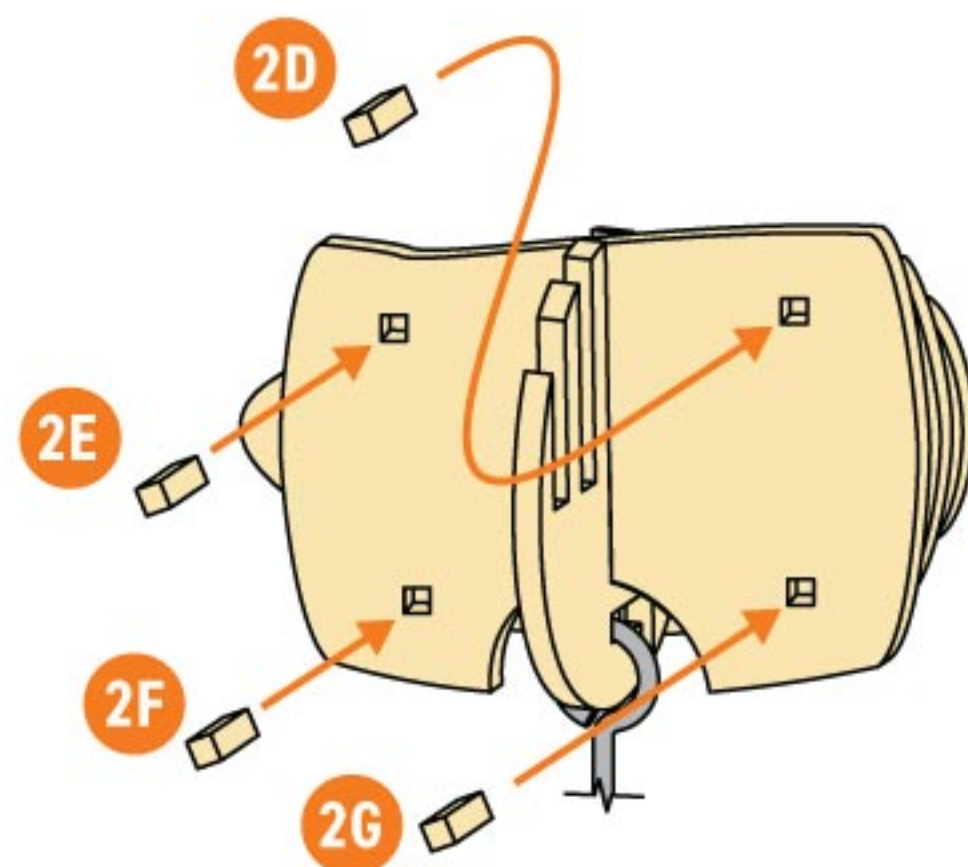
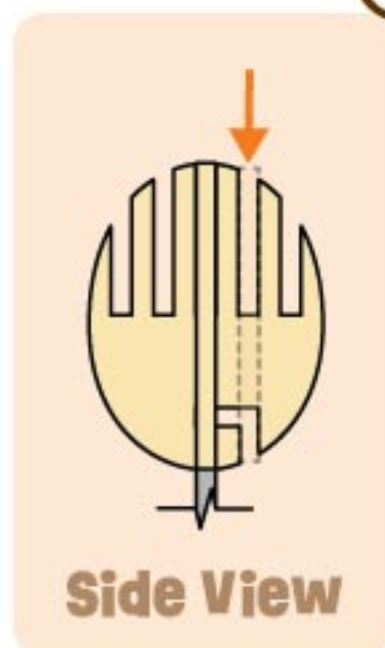
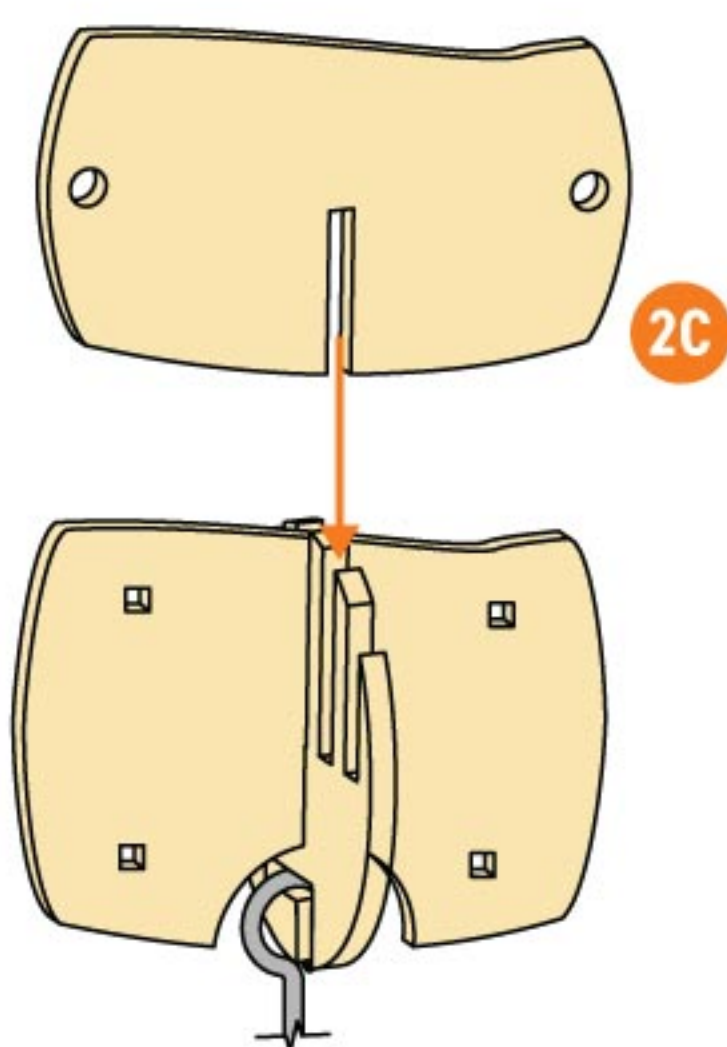
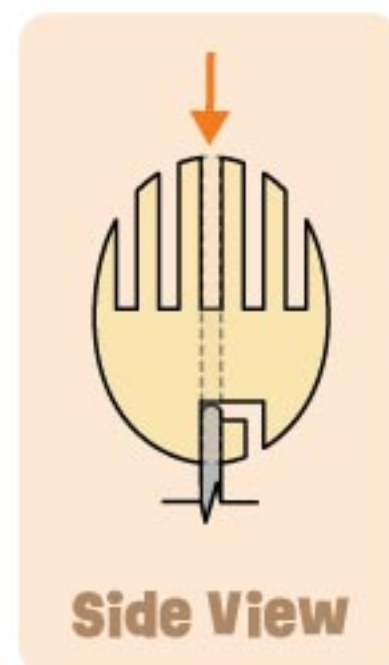
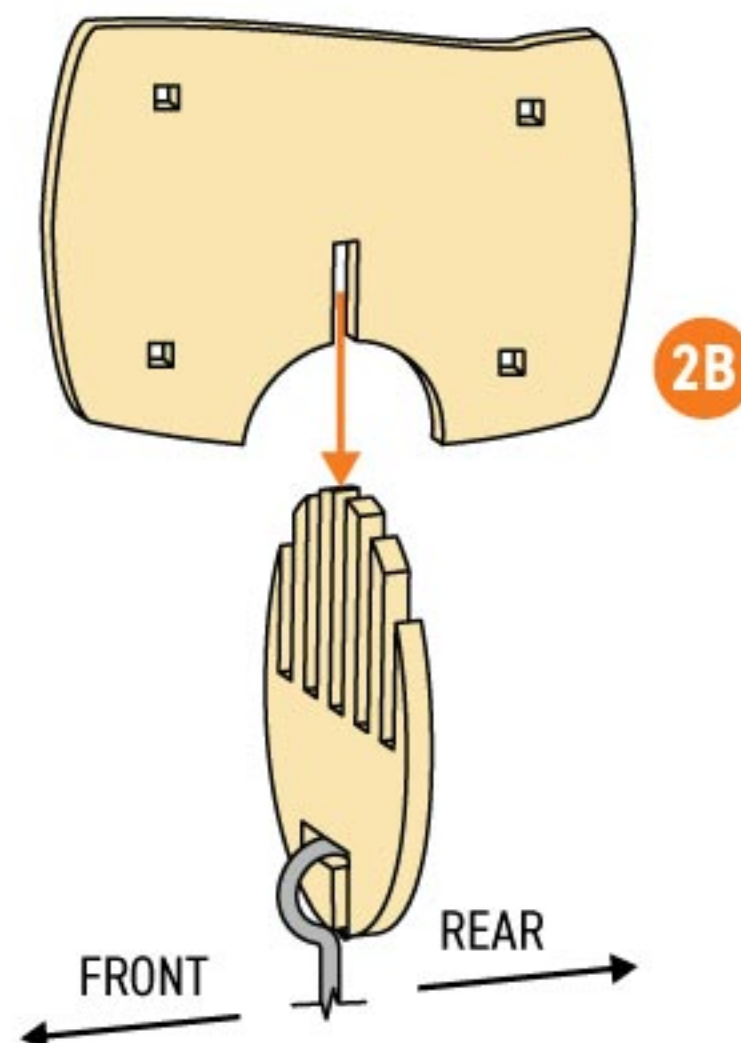
PIECES NEEDED



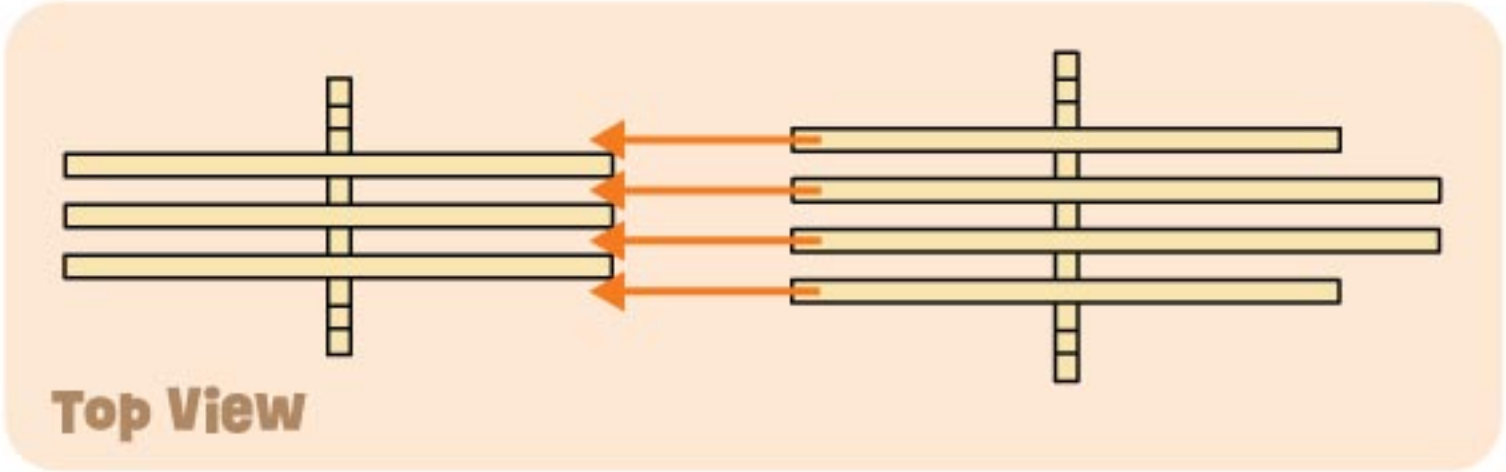
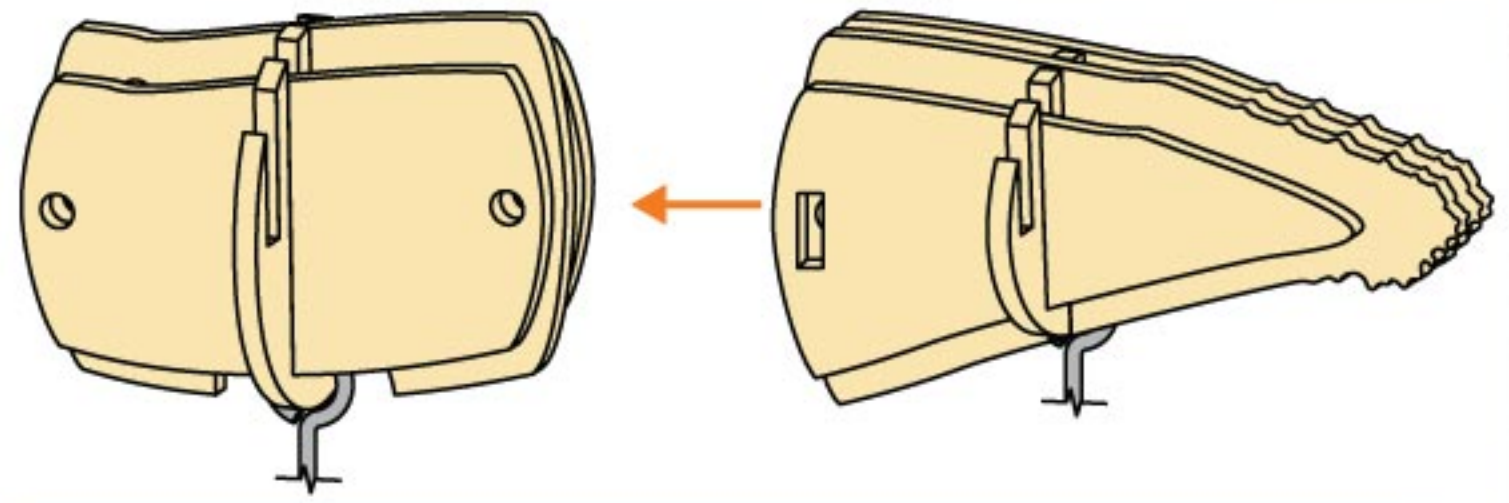
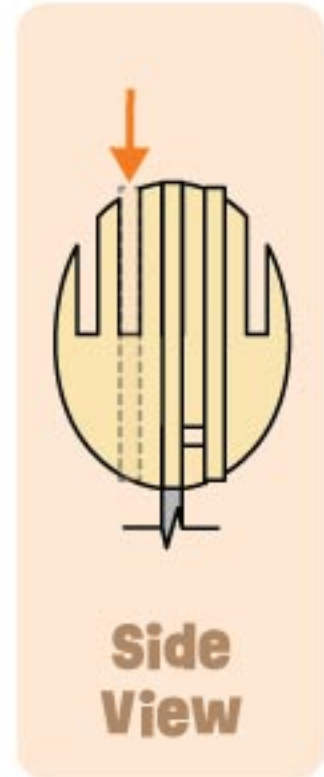
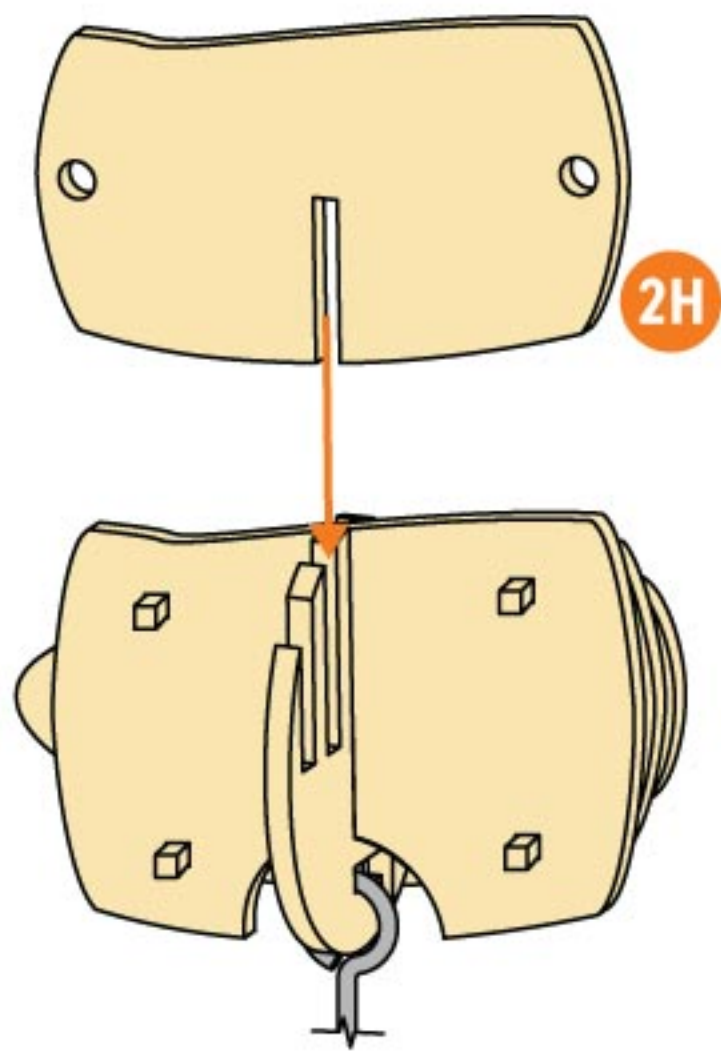
STEP BY STEP



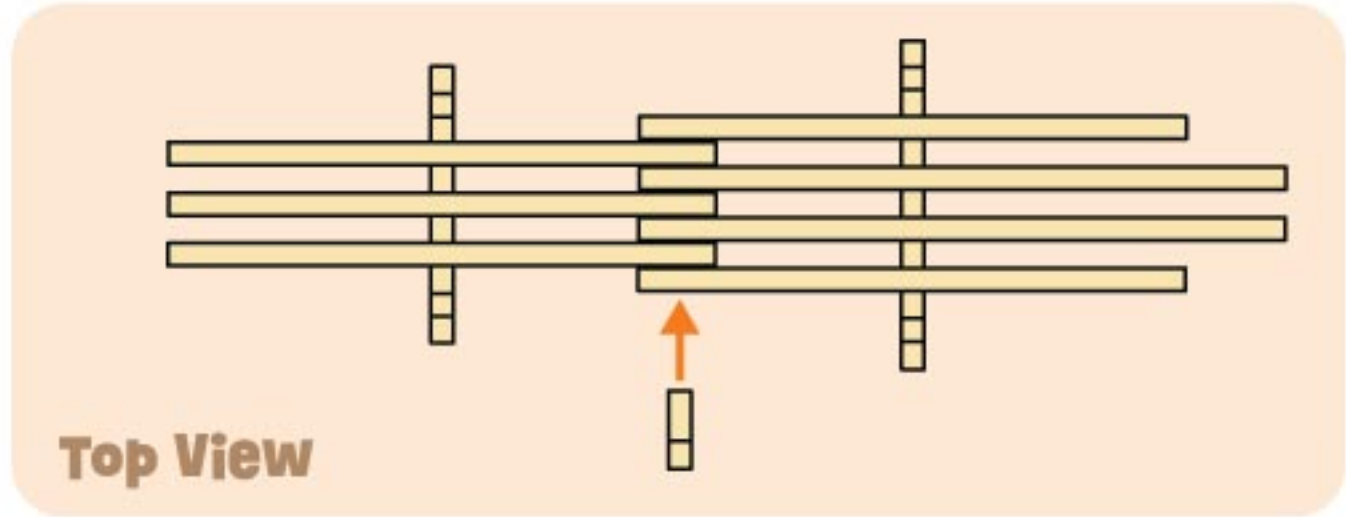
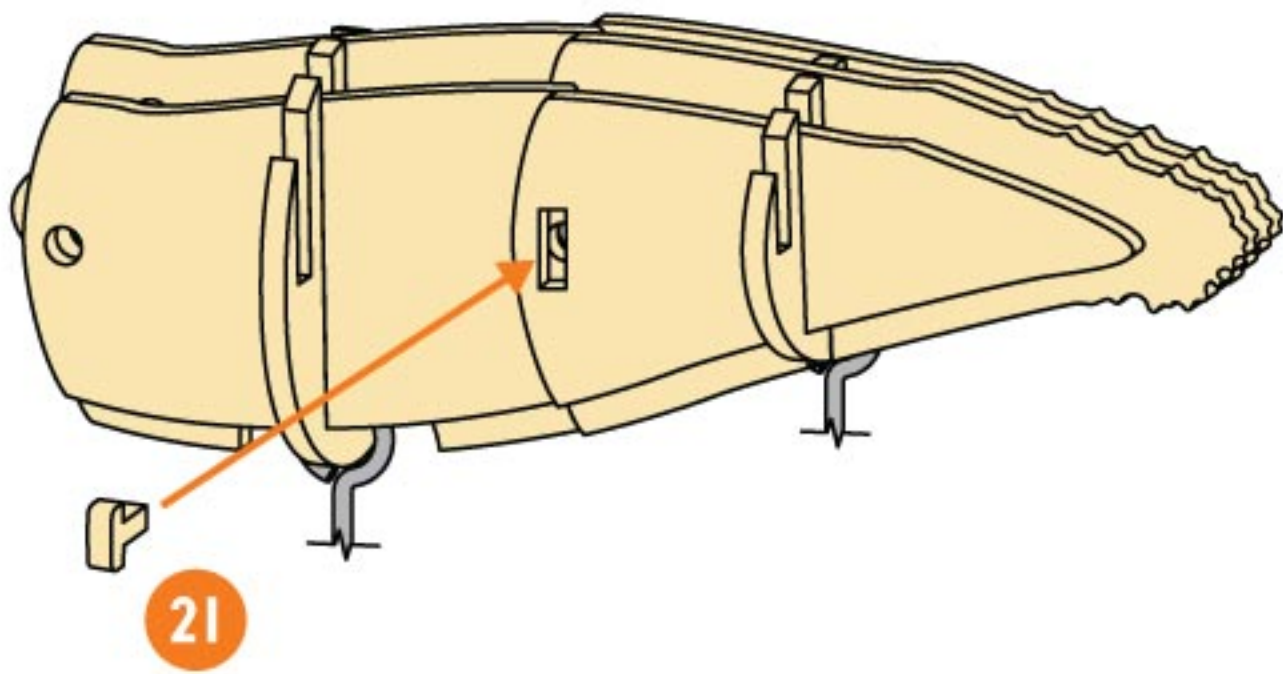
Note: Hold 2A in place on the support rod while completing the next steps.



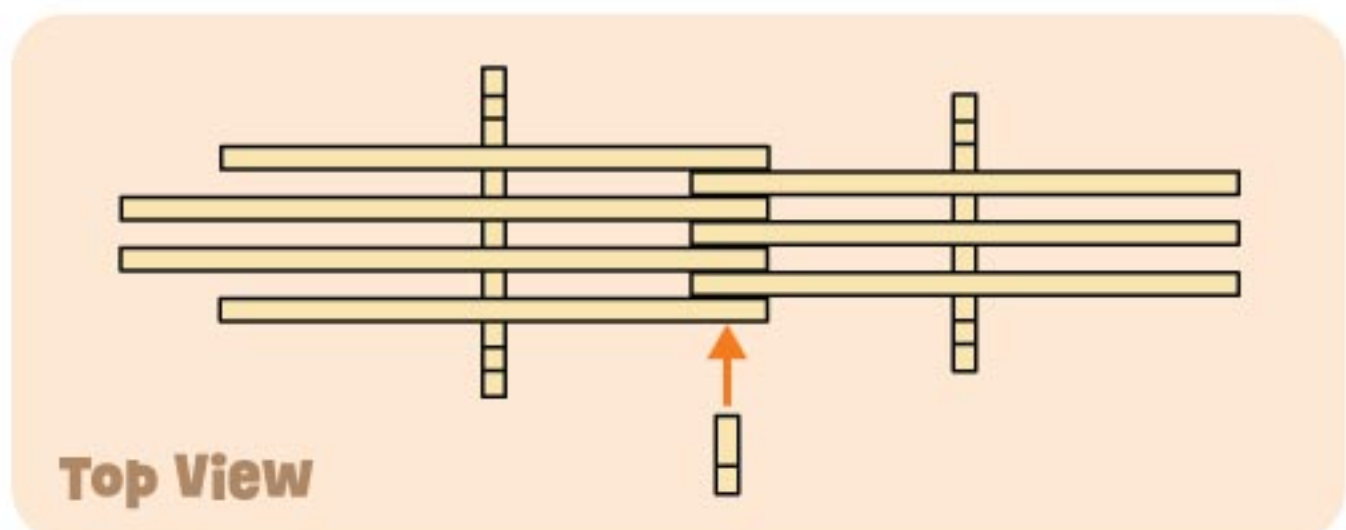
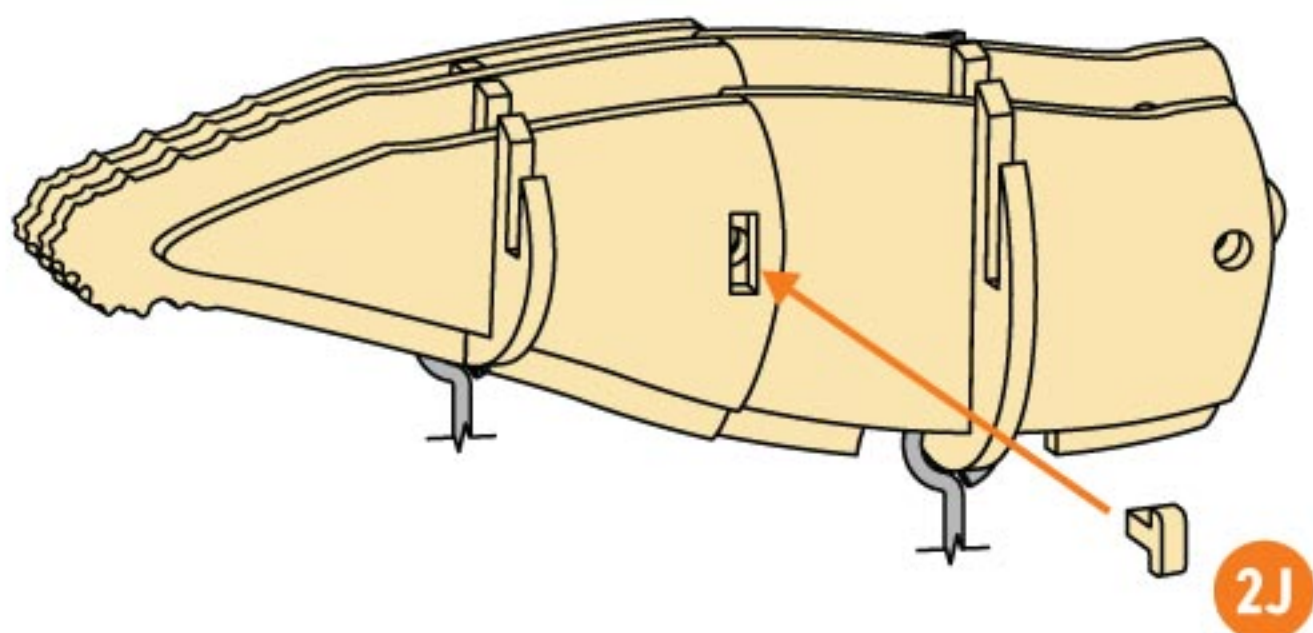
Note: Pegs 2D, 2E, 2F, and 2G are designed to rest loosely in the slots in 2B. This is to allow the torso to move while remaining structurally sound. The following step will secure these pieces and prevent them from falling out.



Note: Slide the torso pieces into the head pieces as shown in the "Top View" image above.



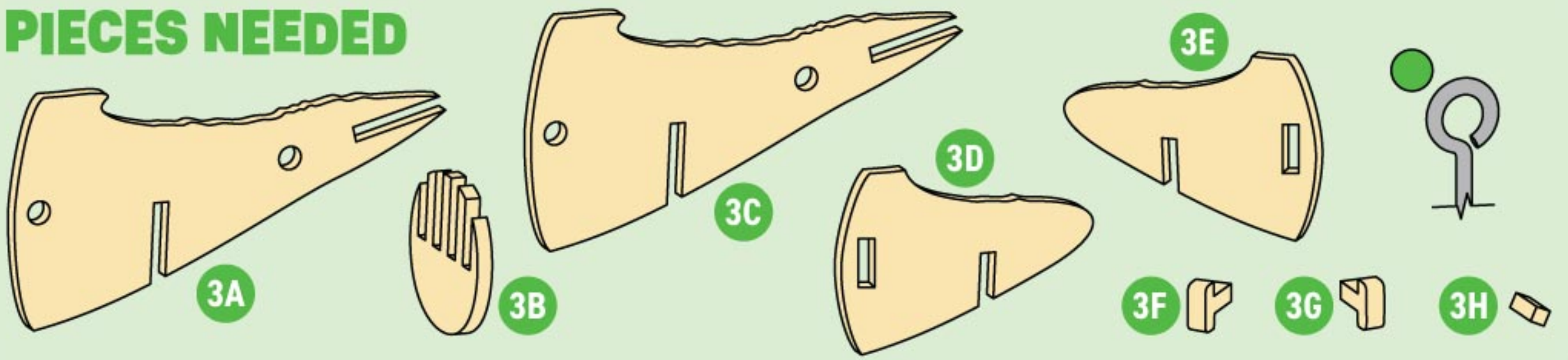
Note: Make sure the holes in the torso and head pieces are aligned so 2I can slide in. Peg 2I is designed to rest loosely in the slots in 1D. This is to allow your whale to move. This piece will be secured in a later step, but if it falls out before then, place it back in the slots and continue your build.



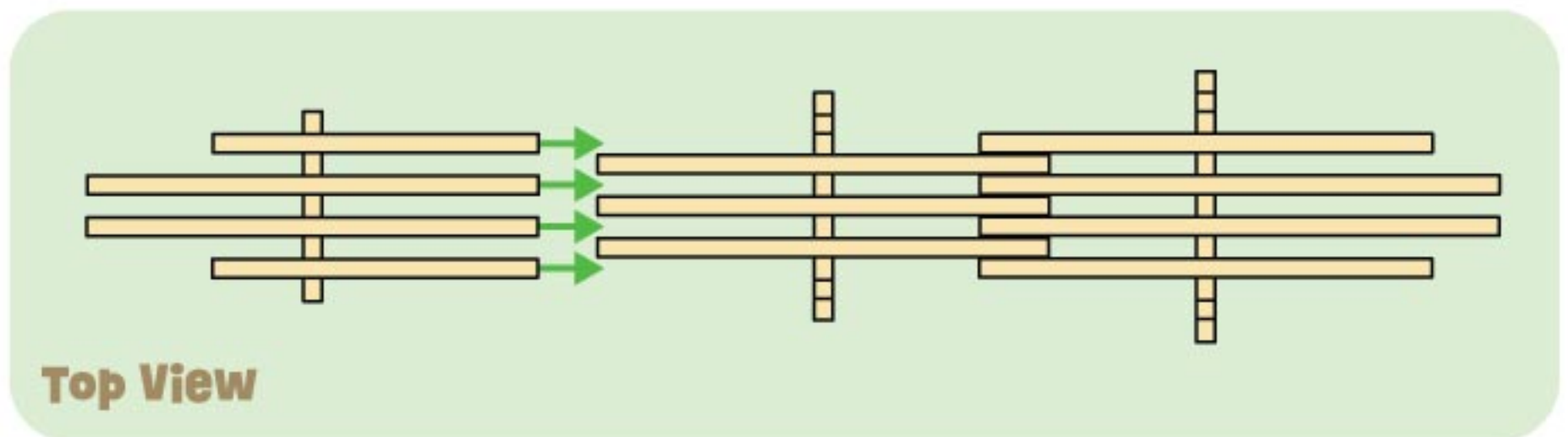
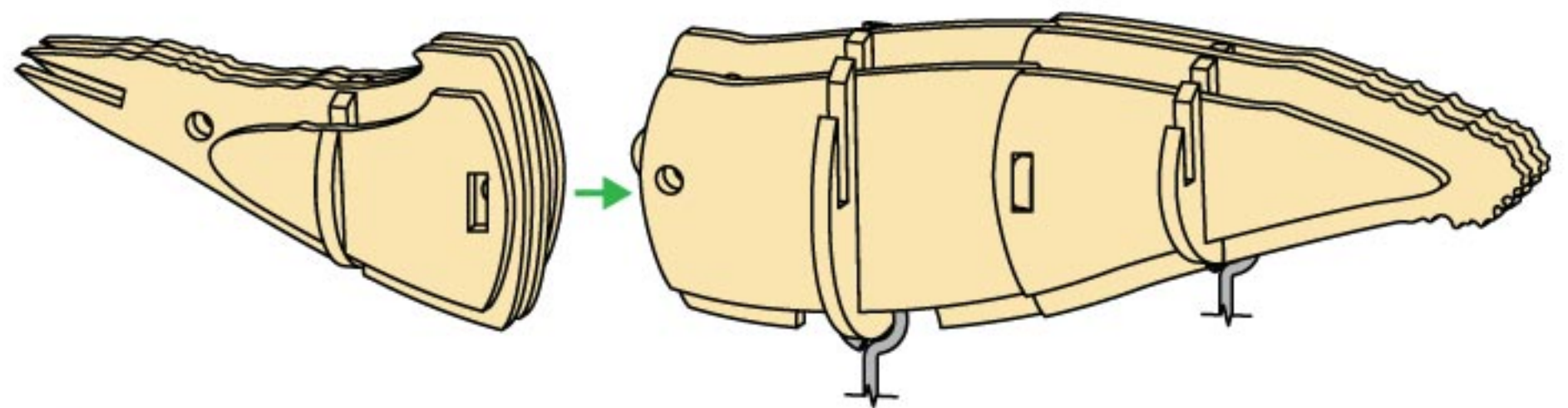
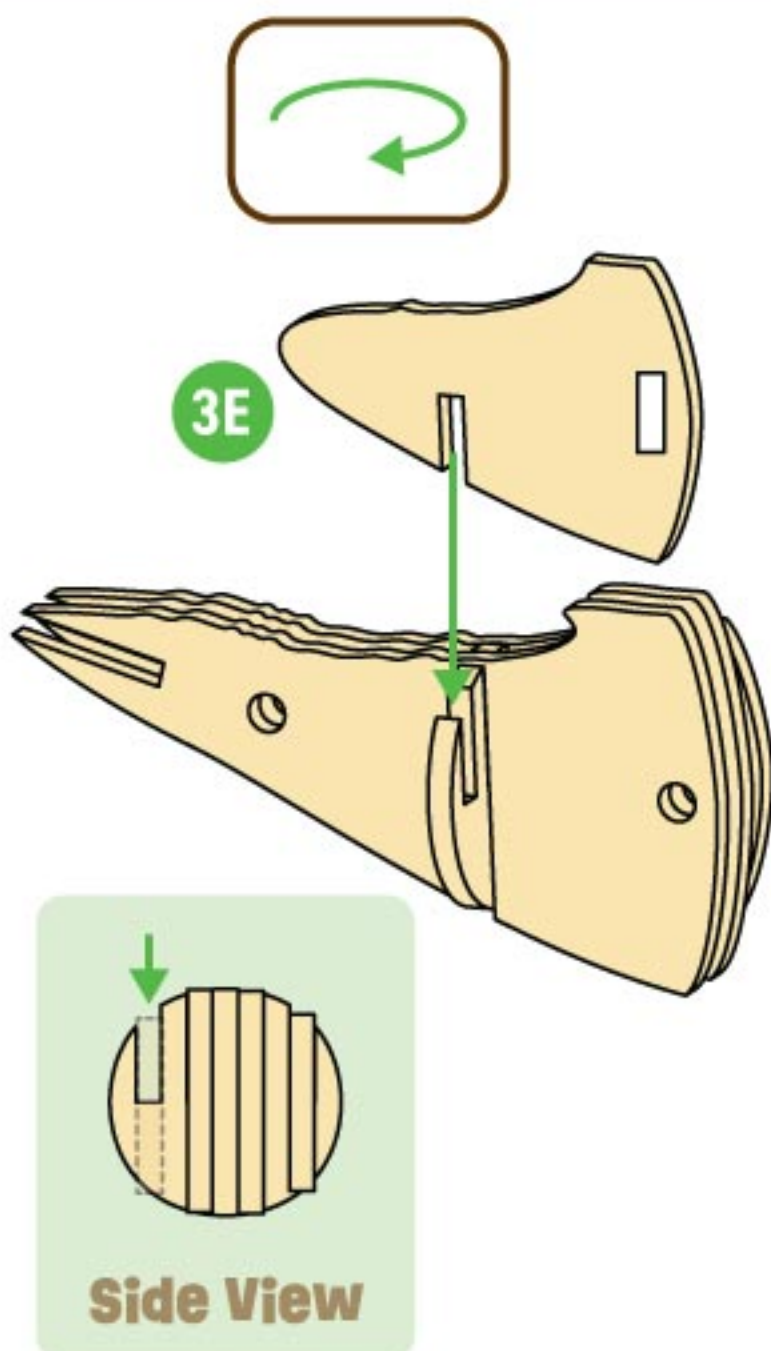
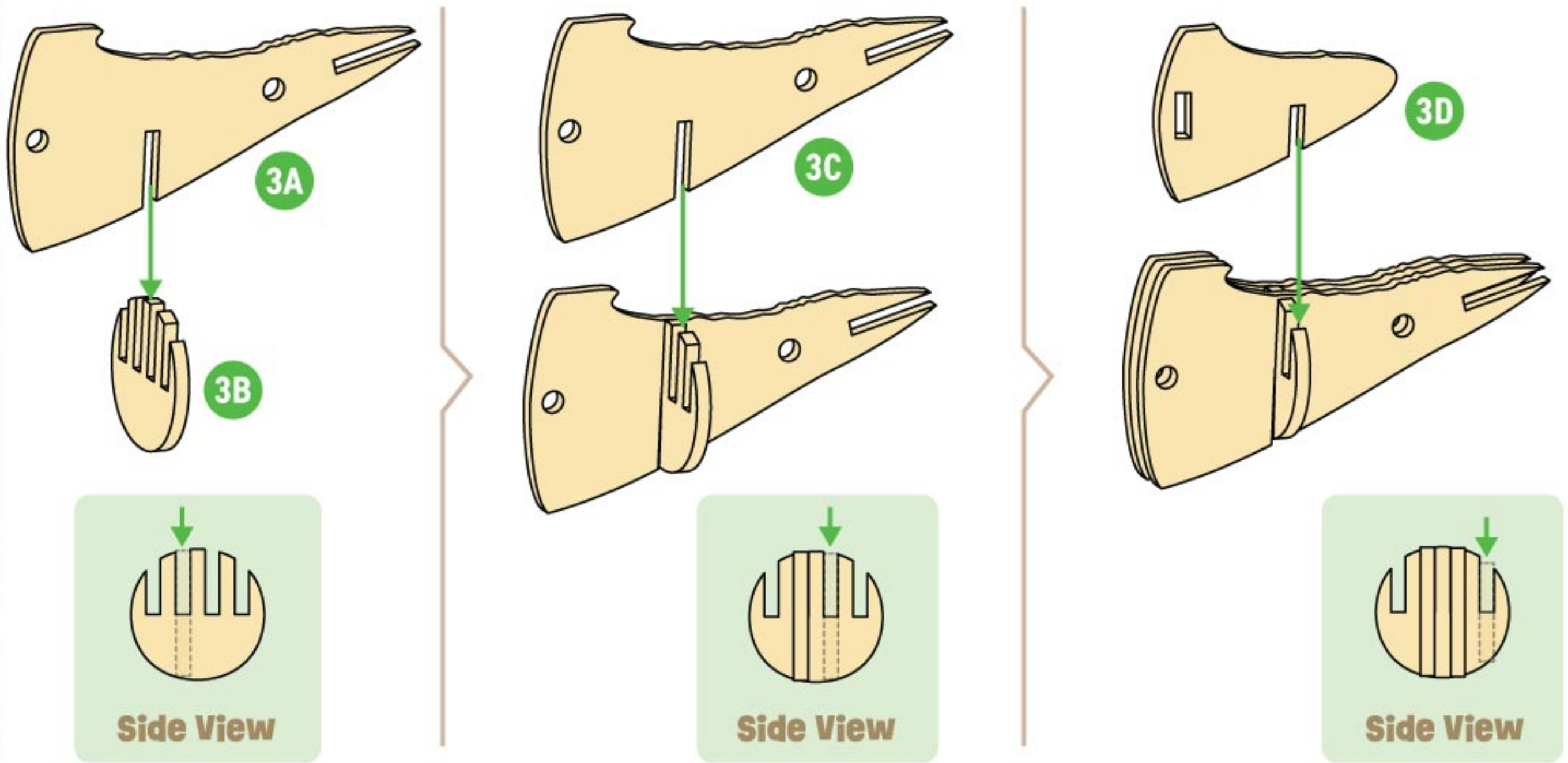
Note: Make sure the holes in the torso and head pieces are aligned so 2J can slide in. Peg 2J is designed to rest loosely in the slots in 1E. This is to allow your whale to move. This piece will be secured in a later step, but if it falls out before then, place it back in the slots and continue your build.

3 TAIL

PIECES NEEDED

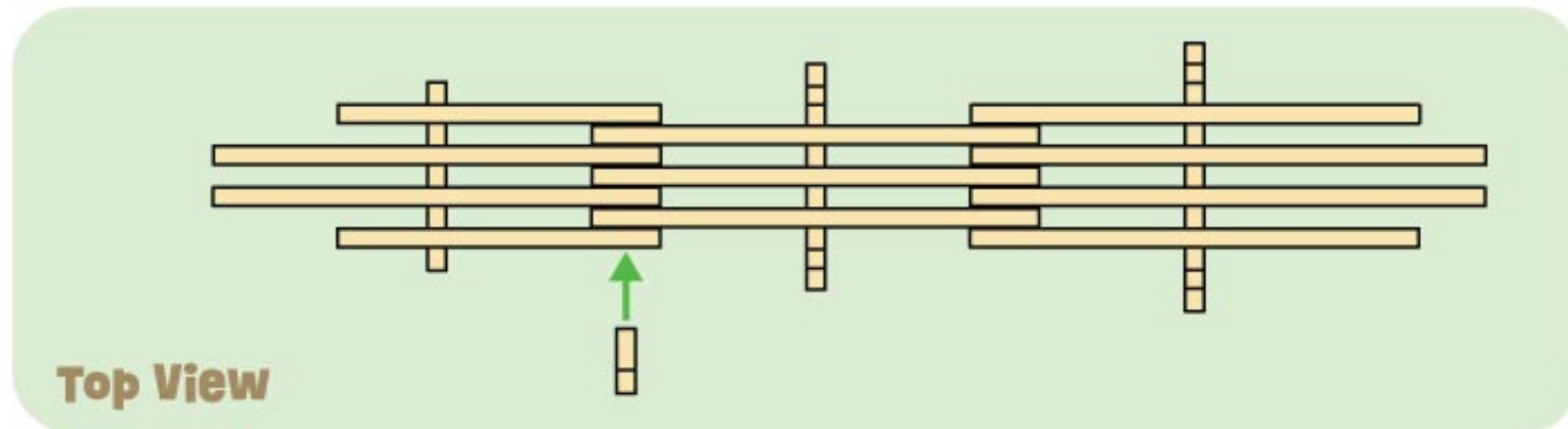
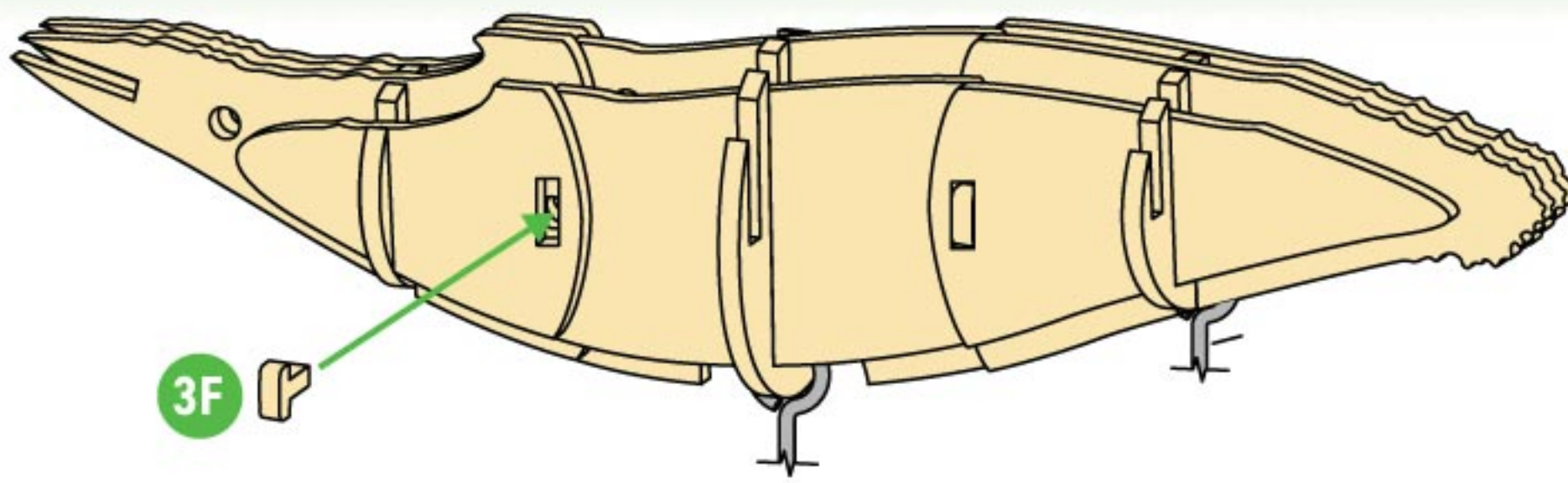


STEP BY STEP

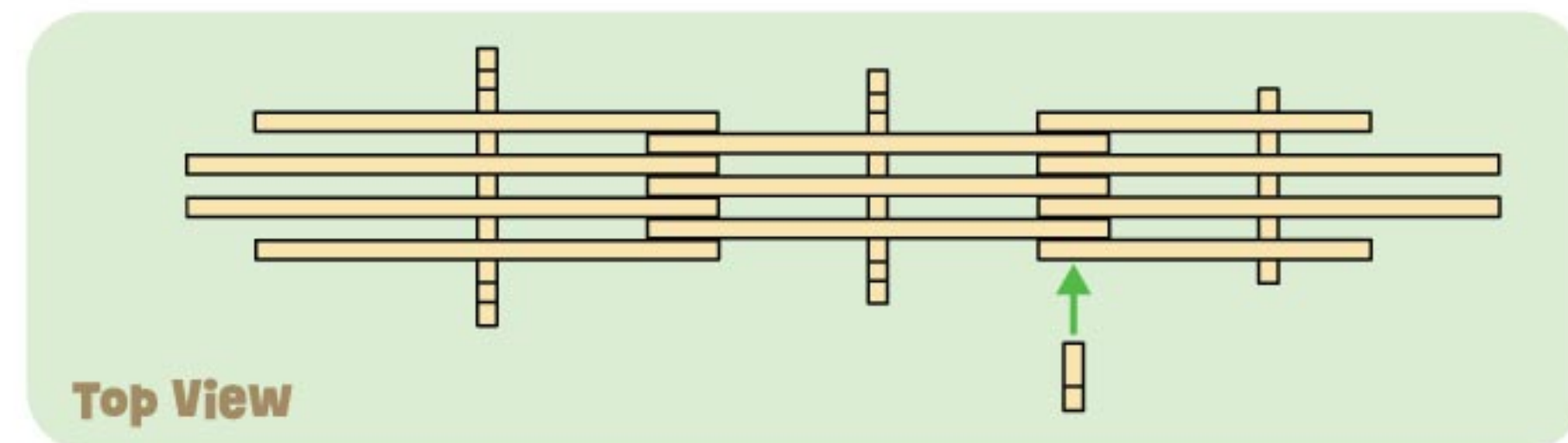
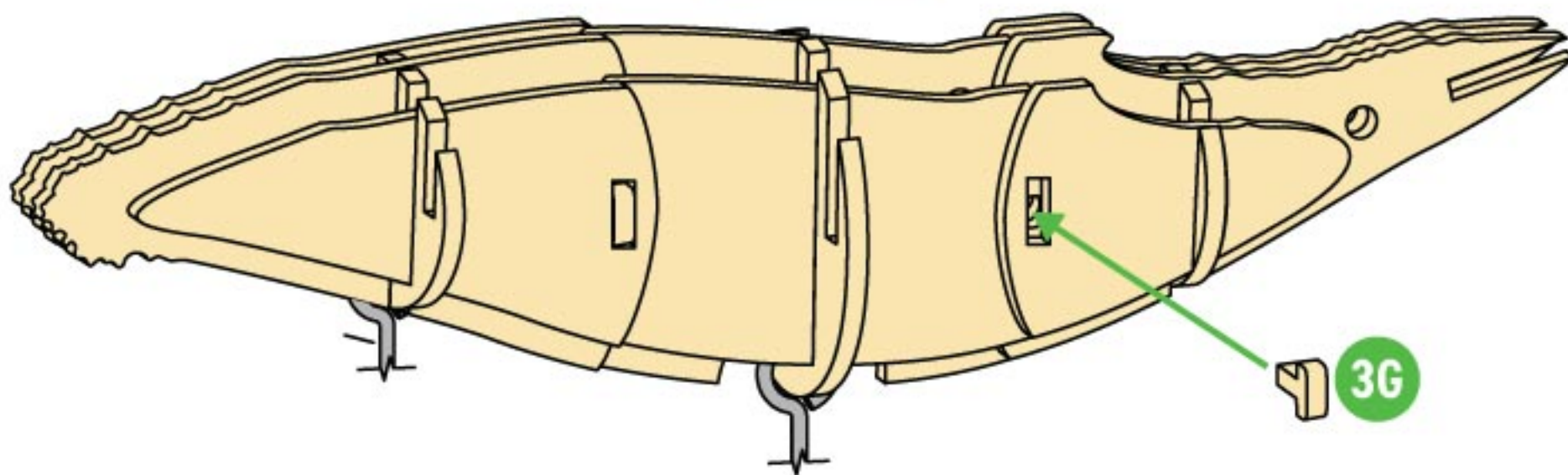


Top View

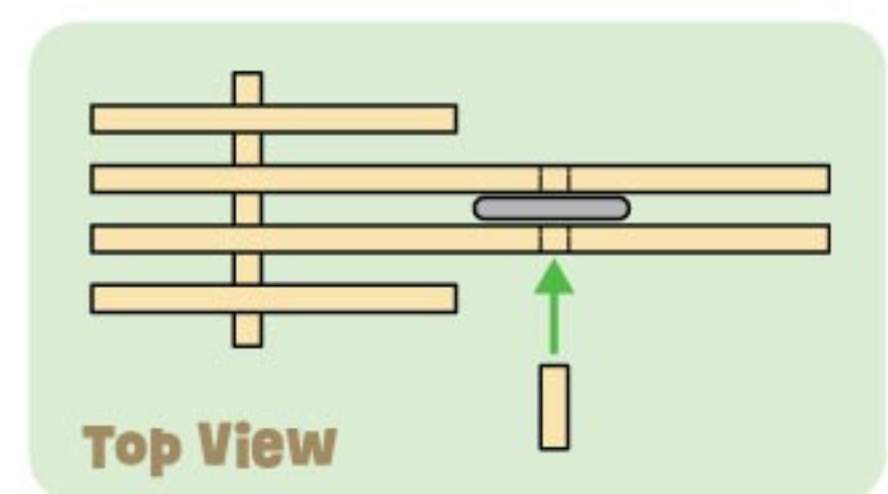
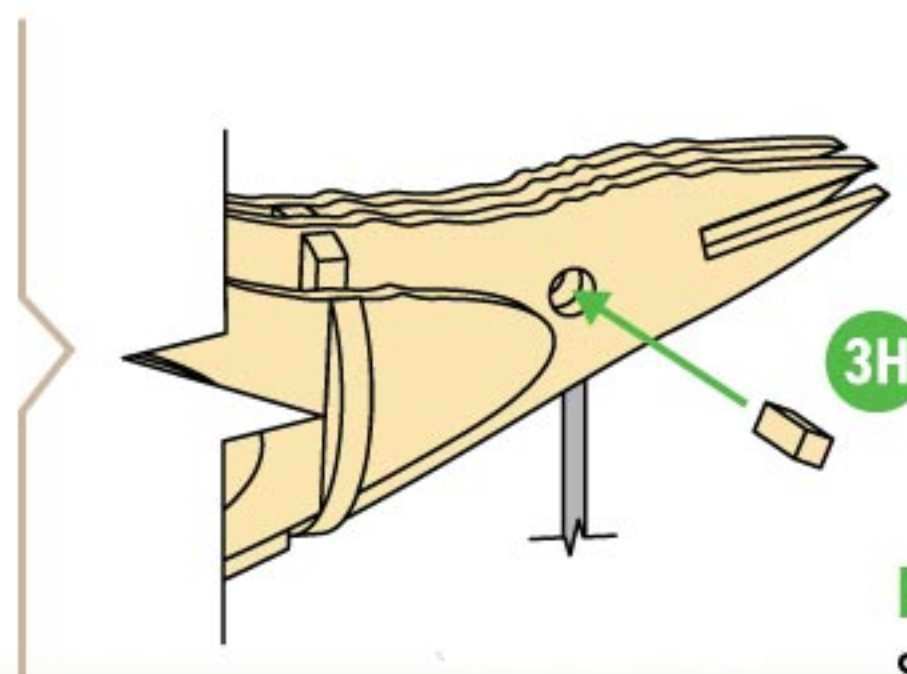
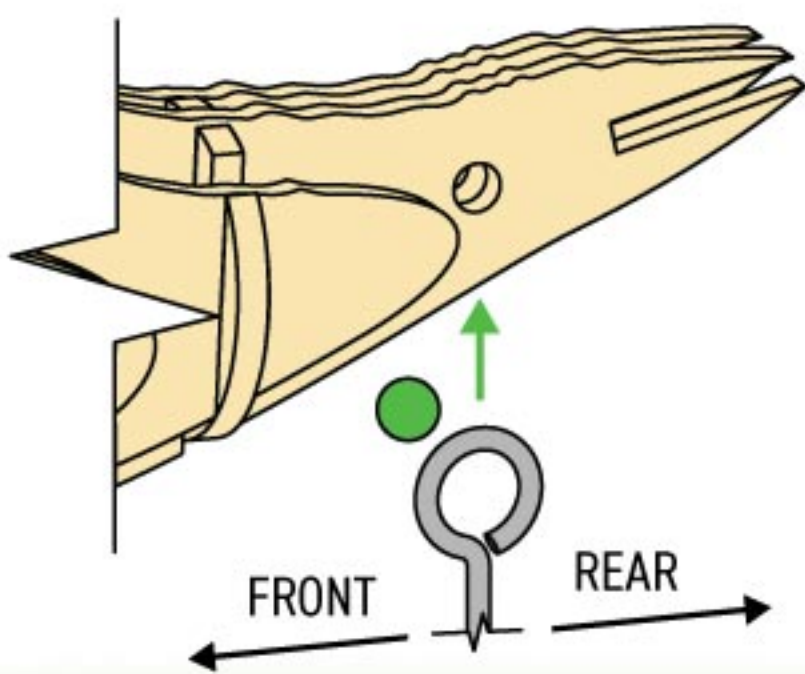
Note: Slide the torso pieces into the tail pieces as shown in the "Top View" image above.



Note: Make sure the holes in the tail and torso pieces are aligned so **3F** can slide in. Peg **3F** is designed to rest loosely in the slots in **3D**. This is to allow your whale to move. This piece will be secured in a later step, but if it falls out before then, place it back in the slots and continue your build.



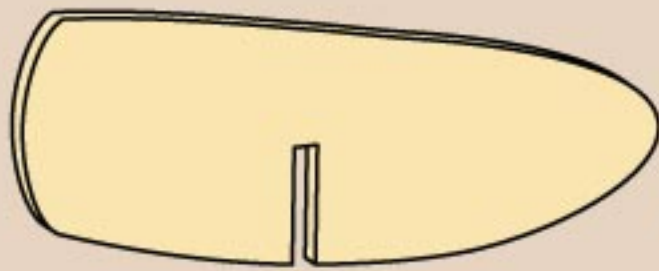
Note: Make sure the holes in the tail and torso pieces are aligned so **3G** can slide in. Peg **3G** is designed to rest loosely in the slots in **3E**. This is to allow your whale to move. This piece will be secured in a later step, but if it falls out before then, place it back in the slots and continue your build.



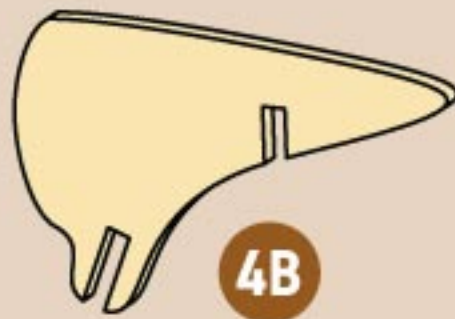
Note: Make sure the holes in the tail and support rod are aligned so **3H** can slide in.

4 TORSO SUPPORTS

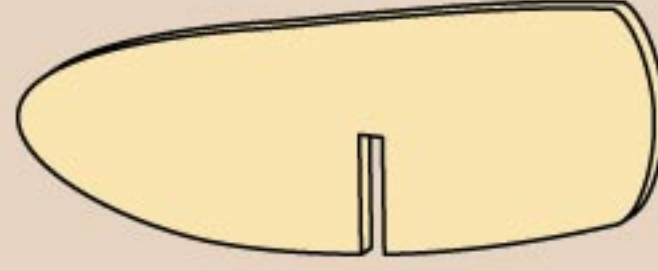
PIECES NEEDED



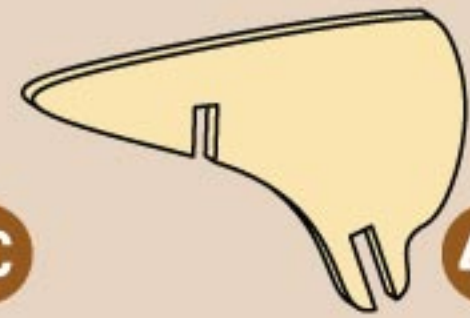
4A



4B



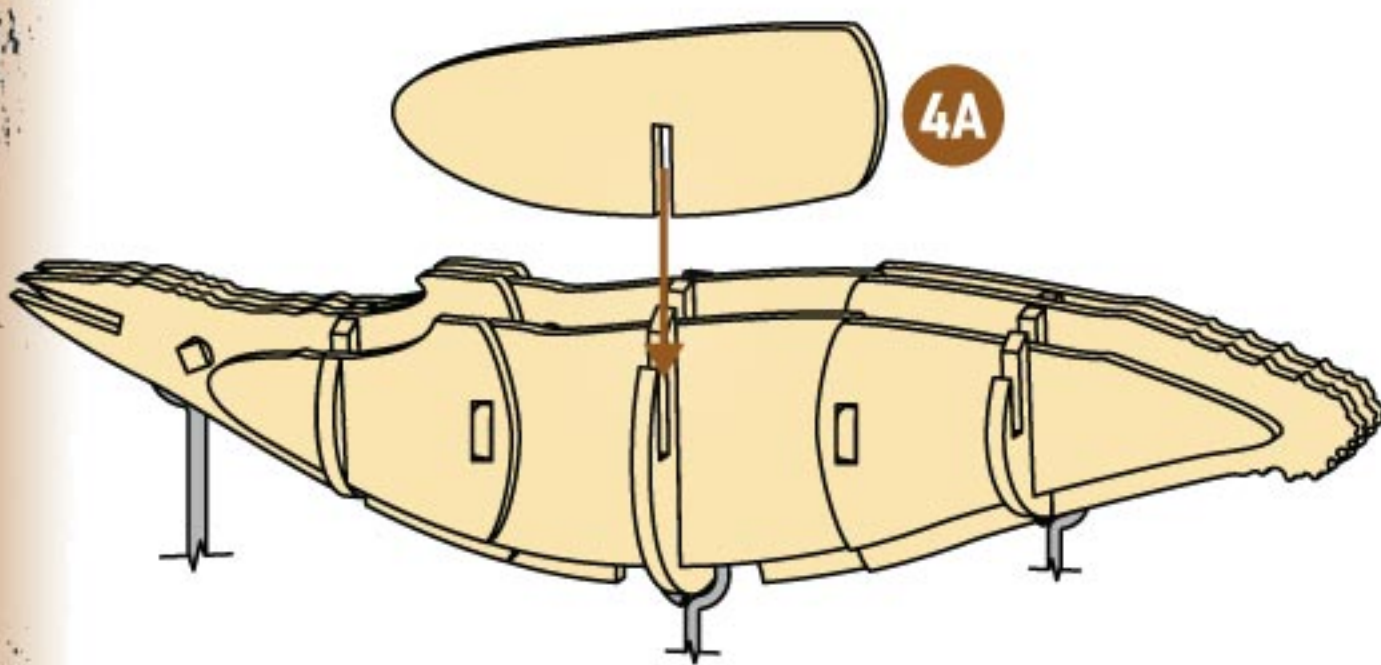
4C



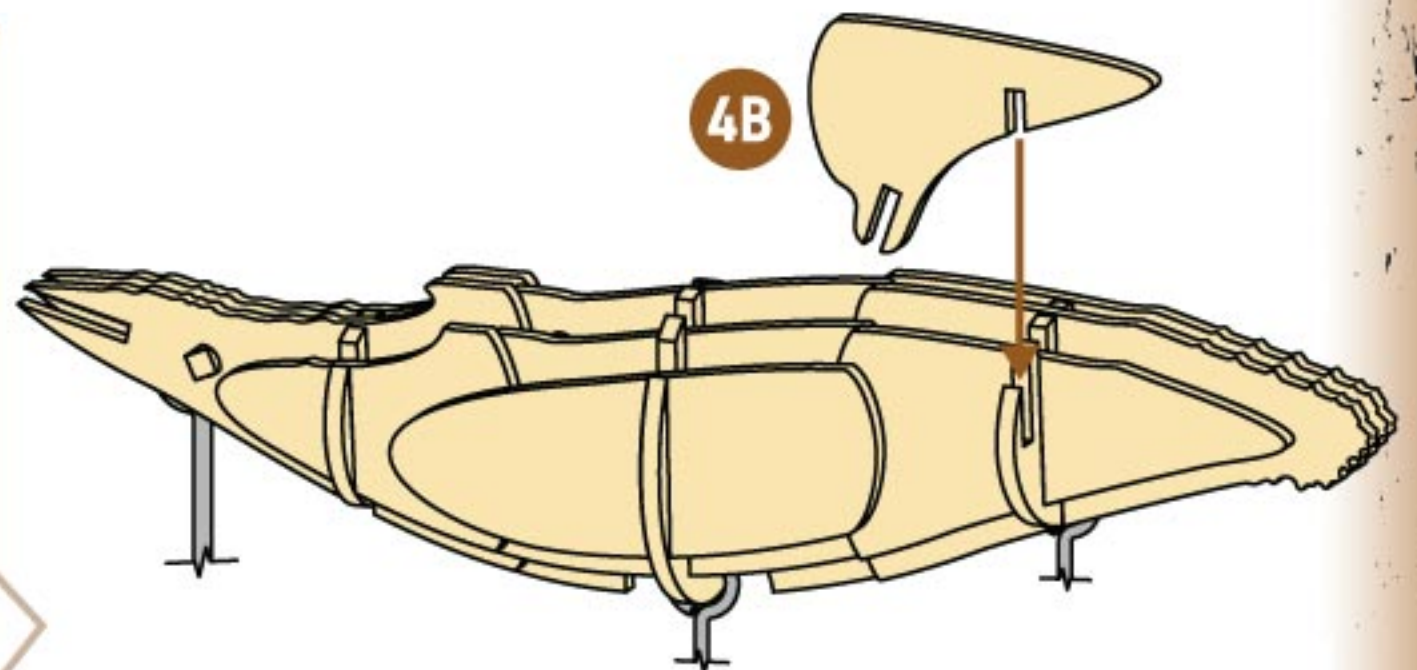
4D

STEP BY STEP

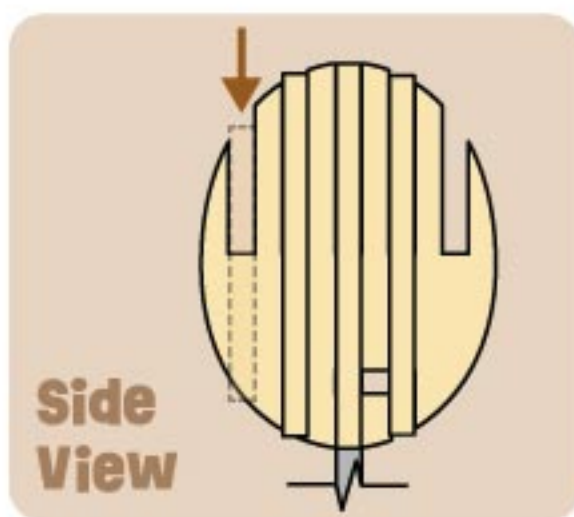
Note: These pieces will secure pegs 2I, 2J, 3F, and 3G. Make sure these pegs are in their respective slots before adding the support pieces. They are necessary for your whale to move.



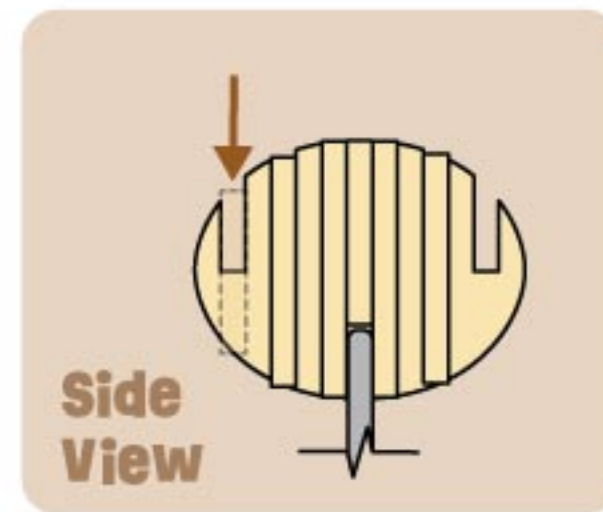
4A



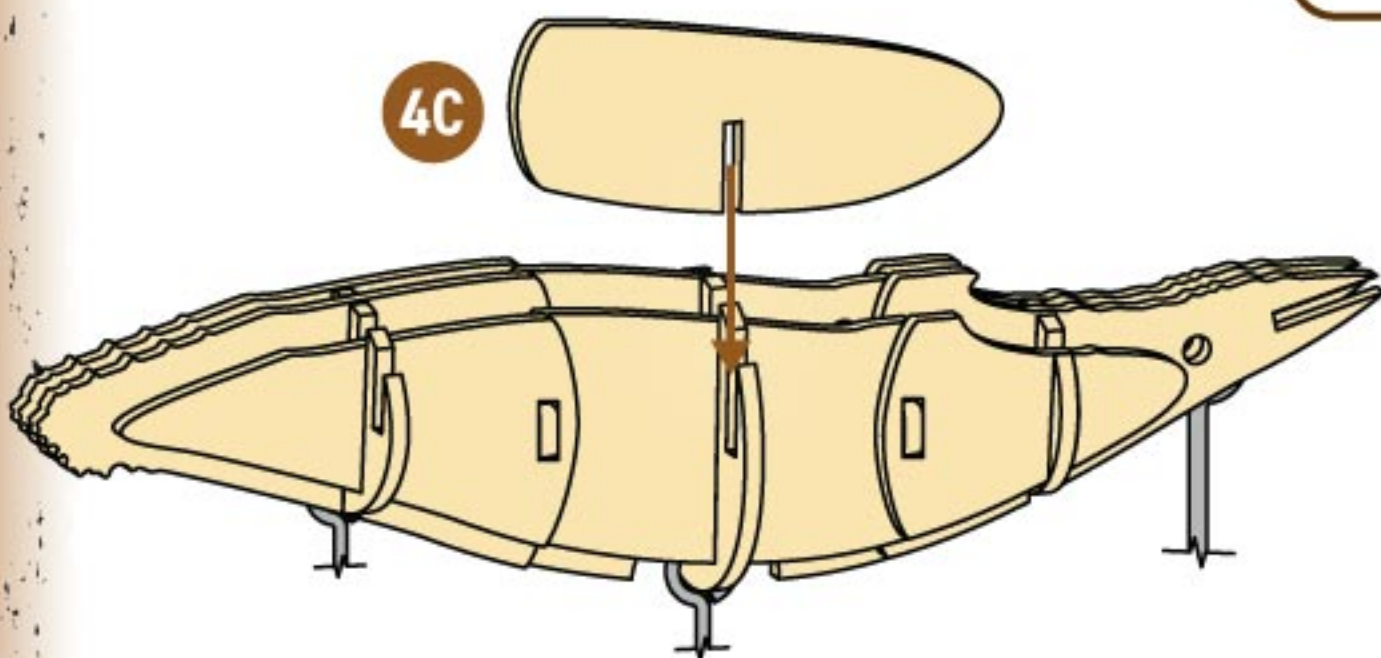
4B



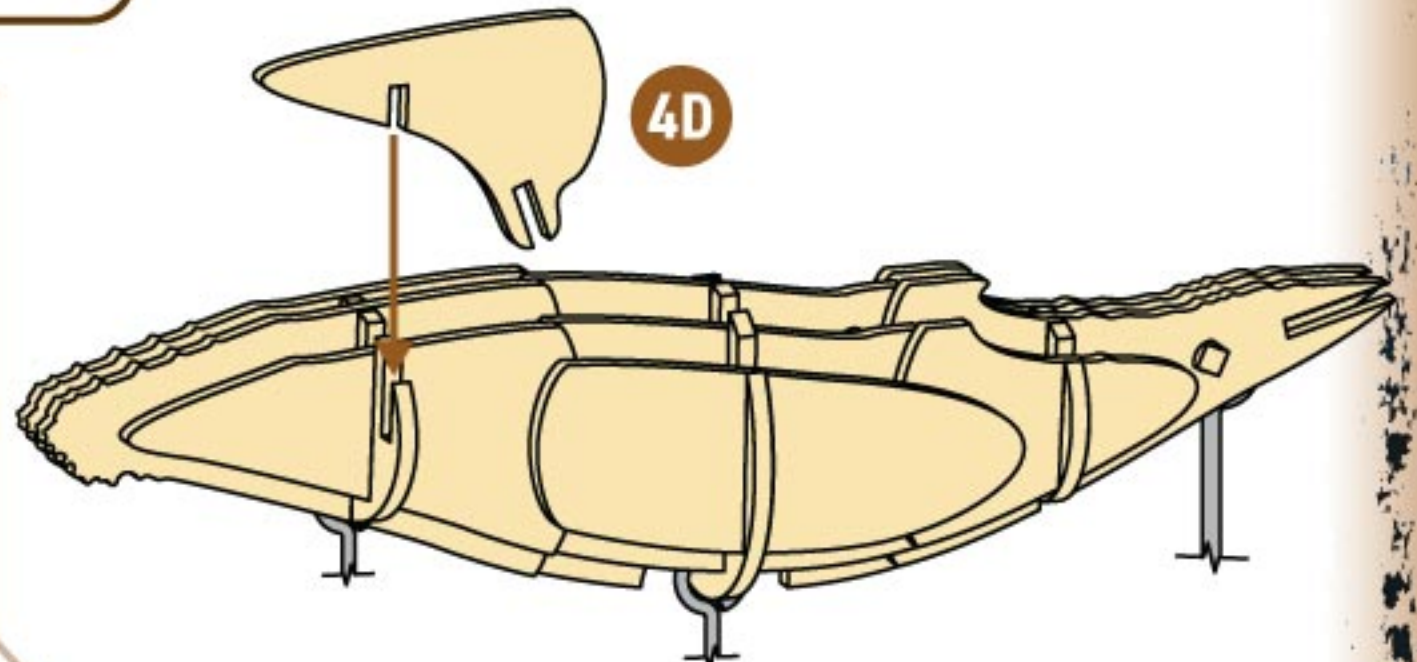
Side View



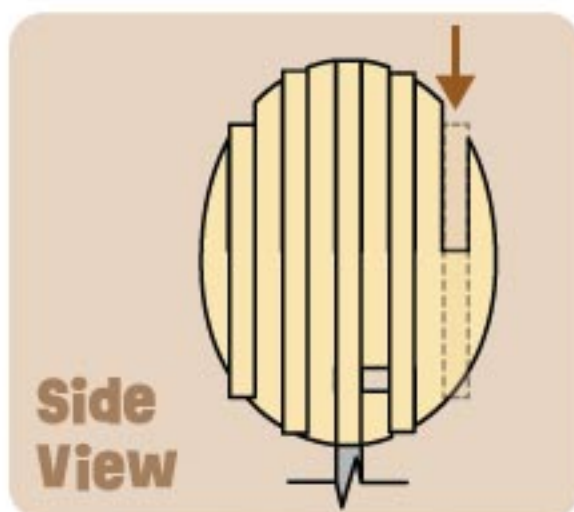
Side View



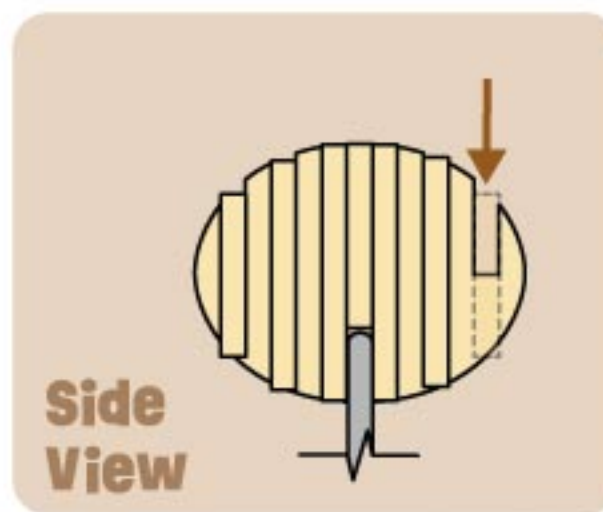
4C



4D



Side View



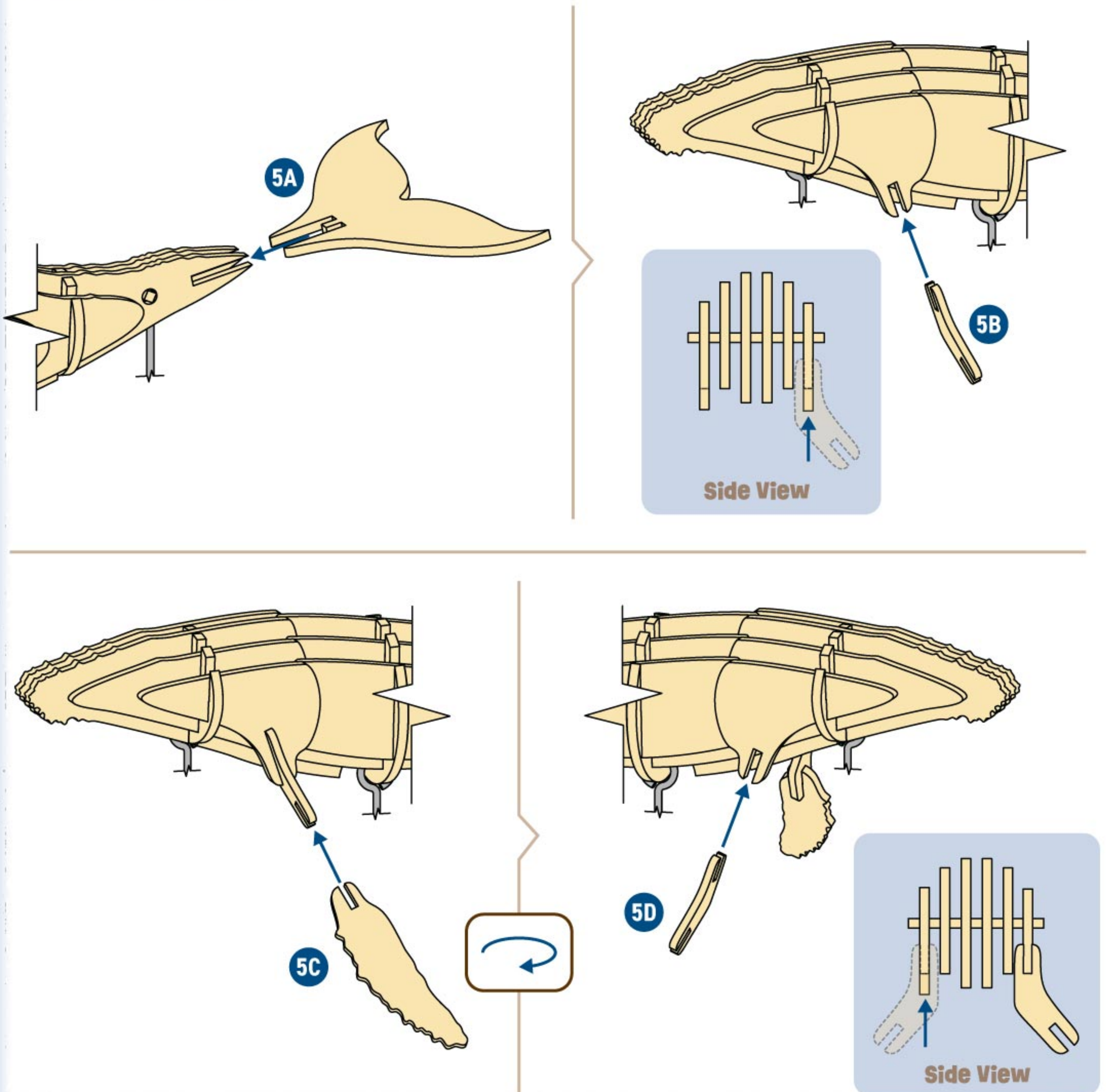
Side View

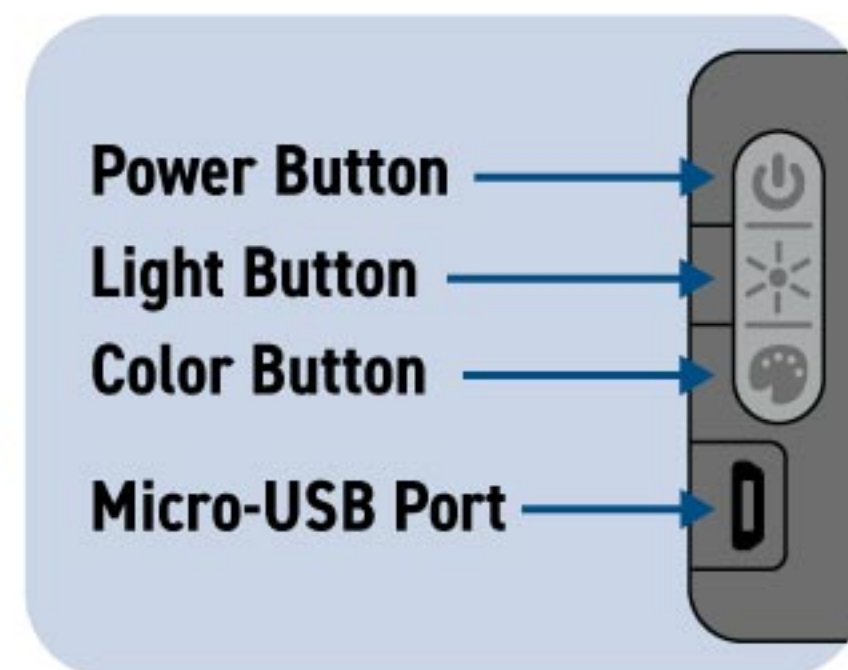
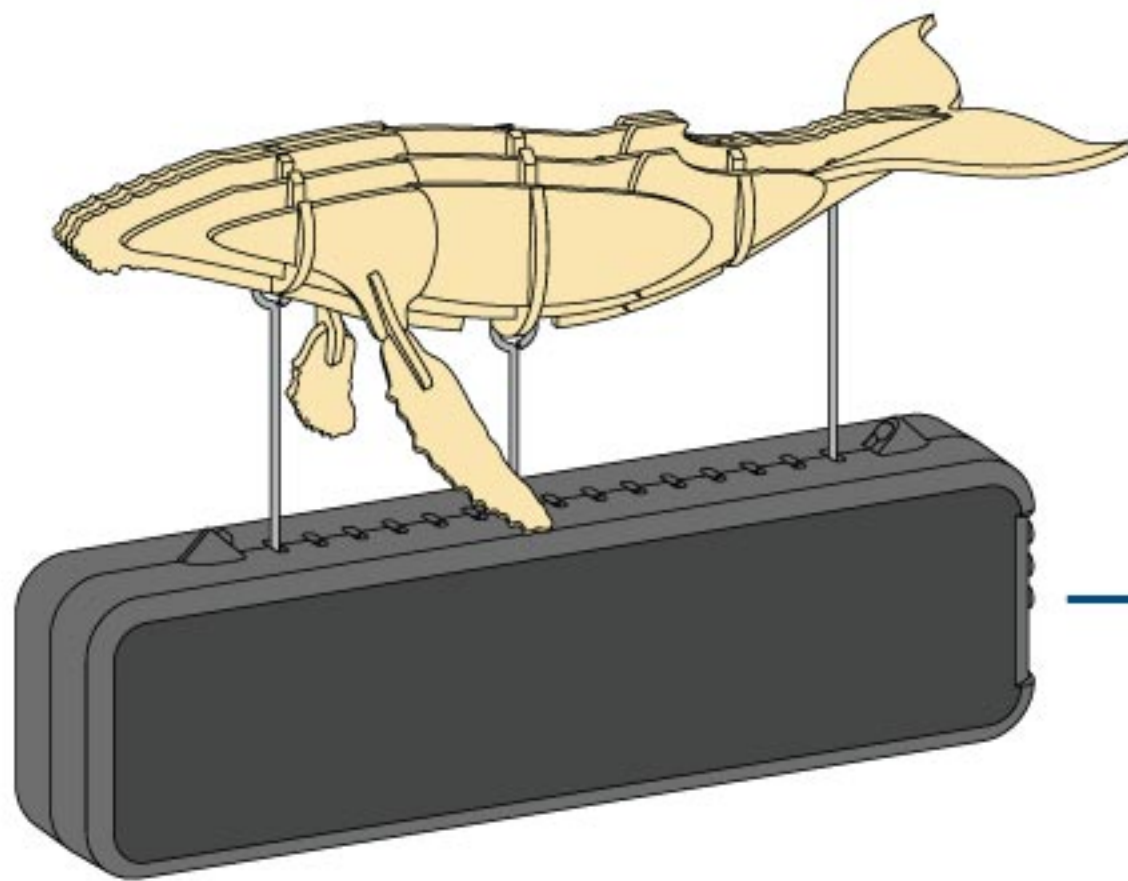
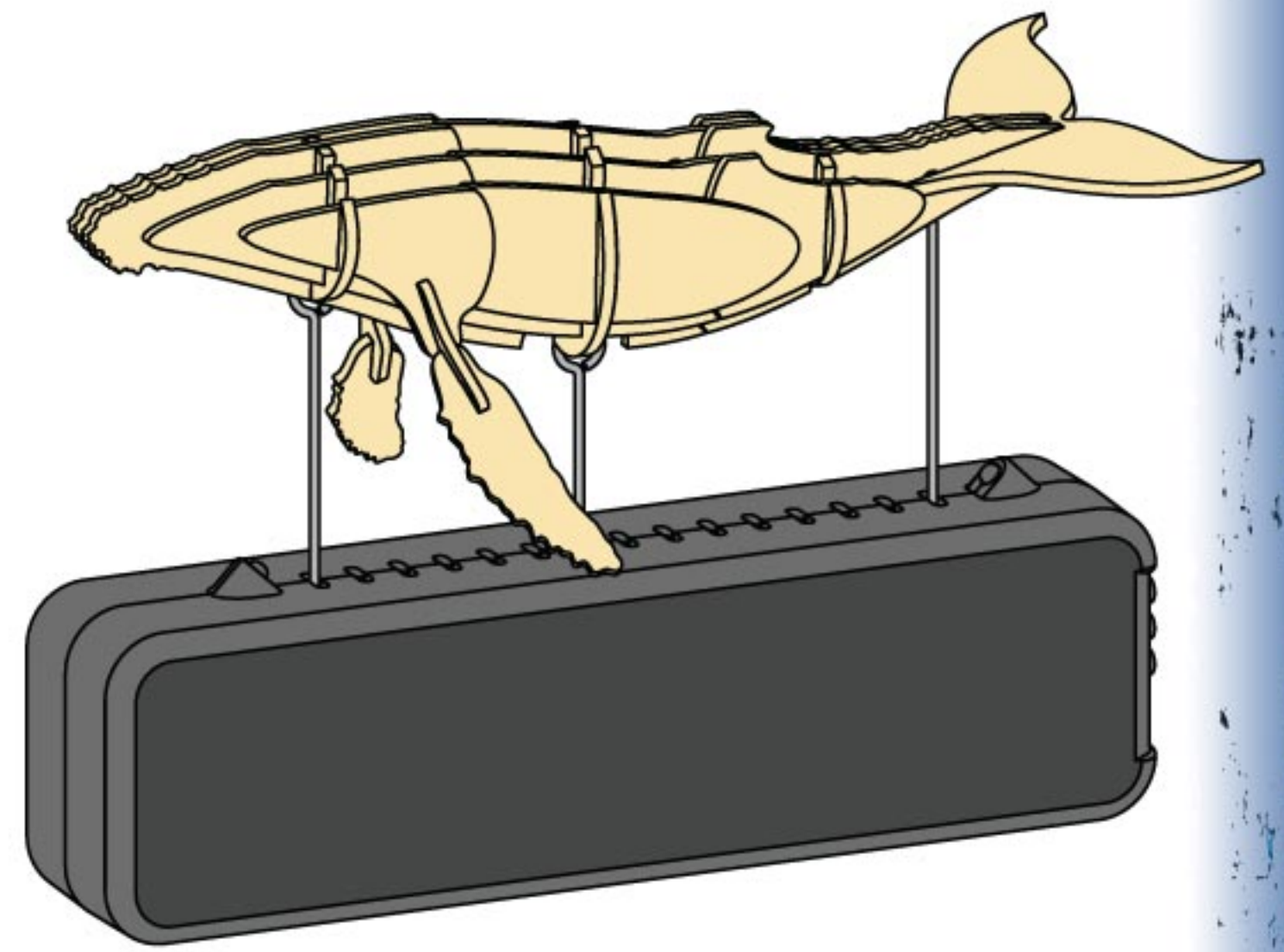
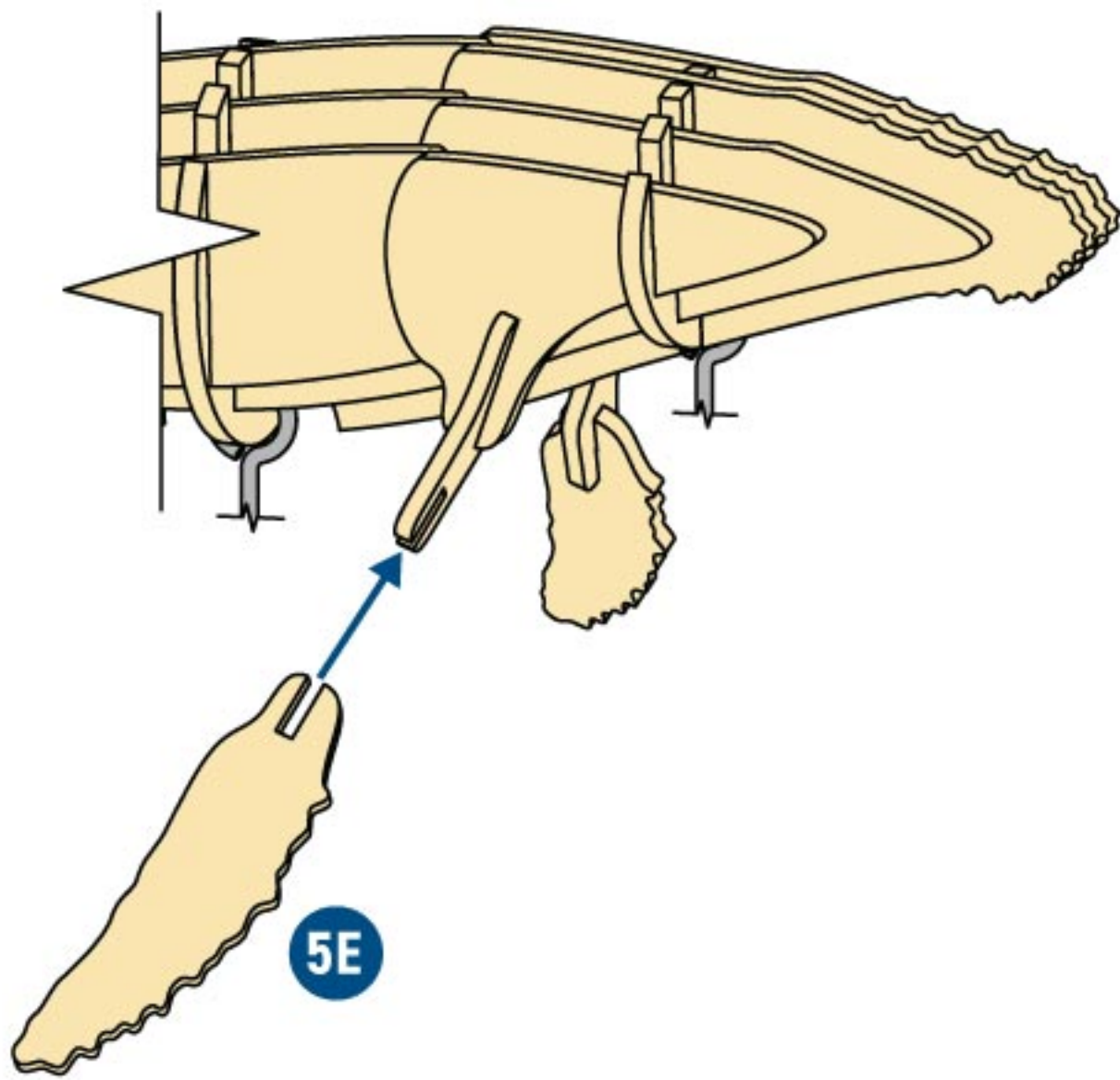
5 PECTORAL FINS & FLUKES

PIECES NEEDED



STEP BY STEP





Using Your Motorized Model

1. Plug the small end of the supplied **Micro-USB** cord into the **port** on the side of the base. Connect the other end to a suitable USB port (not included).
2. Press the **power button** once to make your model move, and again to turn it off.
Note: To optimize motor life, do not run for prolonged periods of time. The model's motor will automatically turn off after 1 hour.
3. Press the **light button** once to turn on the light.
4. Press the **color button** once to enter color-change mode. To cycle through a selection of solid colors, press the **color button** additional times.
5. To dim the light, press the **light button** additional times. Continue pressing to turn the light off.

Add a Decal to your Model Base

1. Remove the protective film from the front of your model base and dispose.
2. Peel the backing off the included decal and align it with the front of your base. Start at one end and roll the decal on for optimal placement.